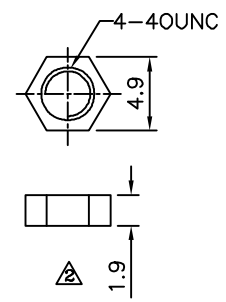
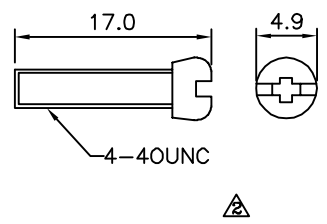
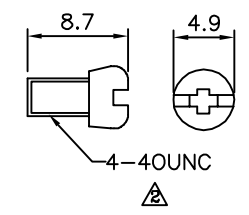
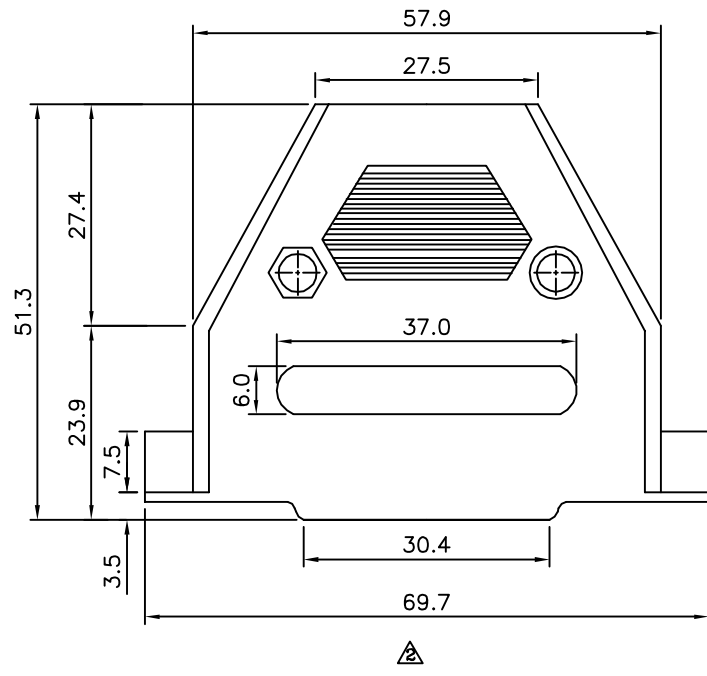
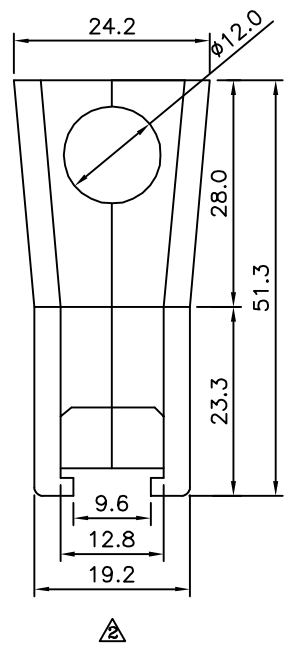


**SPECIFICATION**  
 ▲ Insulator:ABS(UL94HB)  
 Screw,Nut & SR:Steel,Nickel Plated  
 Packing:1 Set/Bag  
 RoHS Compliant

Hood Insulator Color	Item No.
Chromate Plated	19457
Gray	16162



**4U CON** 元化興業股份有限公司  
 4U CON TECHNOLOGY INC.

DRAWING No.		APPROVED BY		UNLESS OTHERWISE SPECIFIED TOLERANCES ARE X. ±0.5 .X ±0.3 .XX ±0.2 ANG. ±5°
19457		EMILY		
		CHECKED BY HZF		
		DRAWING BY SAN		
SCALE	NONE	REV.	A2	UNIT mm

NO.	REV.	REVISIONS	CHK	DATE
▲A2		Modify Data	HZF	07/16/2014
▲A1		Modify Data	HZF	12/10/2008
▲A0		NEW RELEASE	HZF	02/07/2008