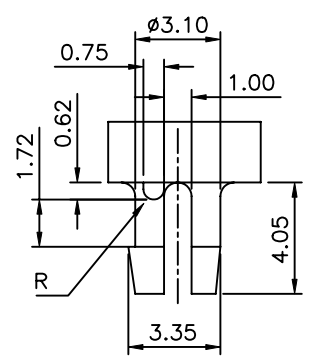
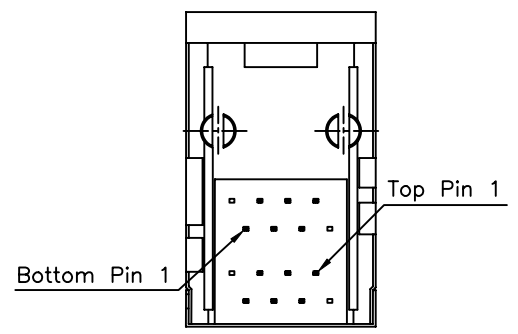
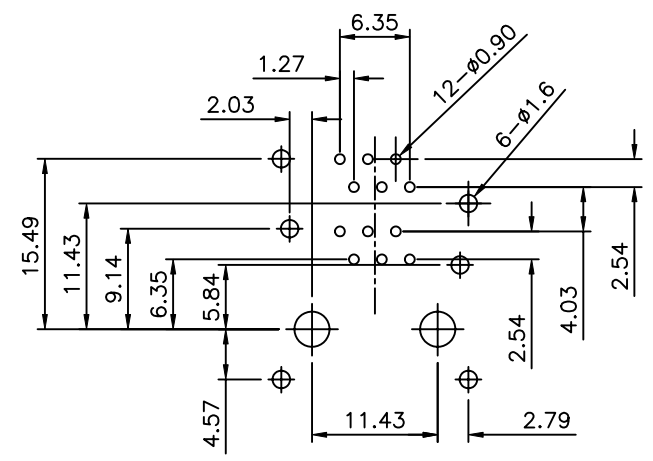
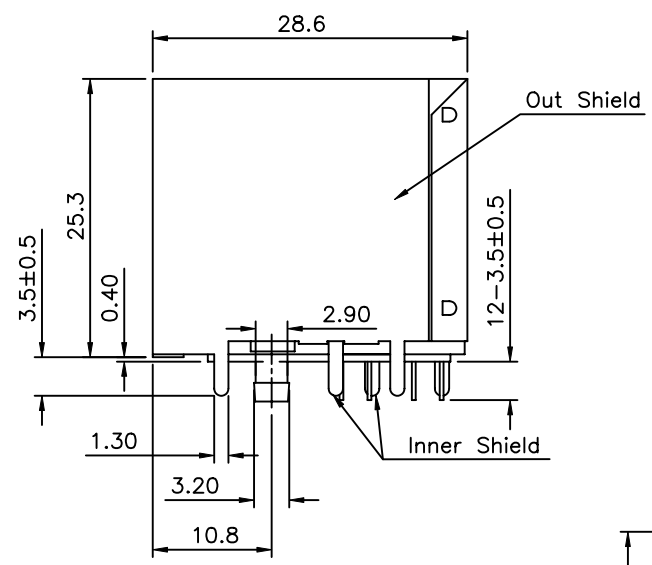
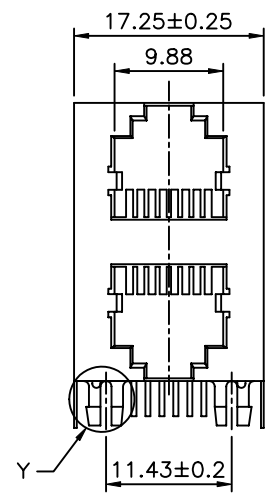


SPECIFICATION

Housing: PBT Polyser UL94V-0
 Mixed Glass Fiber
 Standard Color-Black
 Contacts: Phosphor Bronze
 Gold Plated 6u" On Contact Area
 Gold Flash In Solder Area
 Shield: Copper Alloy, Nickel Plated
 Cavity Confirms To FCC Rules And Regulations
 Part 68, Subpart F
 RoHS Compliant



Detail Y

4UCON 元化興業股份有限公司
 4UCON TECHNOLOGY INC.

DRAWING No.		APPROVED BY		UNLESS OTHERWISE SPECIFIED TOLERANCES ARE .X ±0.25 .XX ±0.13 .XXX ±0.05 ANG.: ±0.5°
19466		MEI		
		CHECKED BY	HZF	
		DRAWING BY	LXX	
SCALE	NONE	REV.	A0	UNIT mm

NO.	REV.	REVISIONS	CHK	DATE
△ A0		NEW RELEASE	HZF	09/19/2008