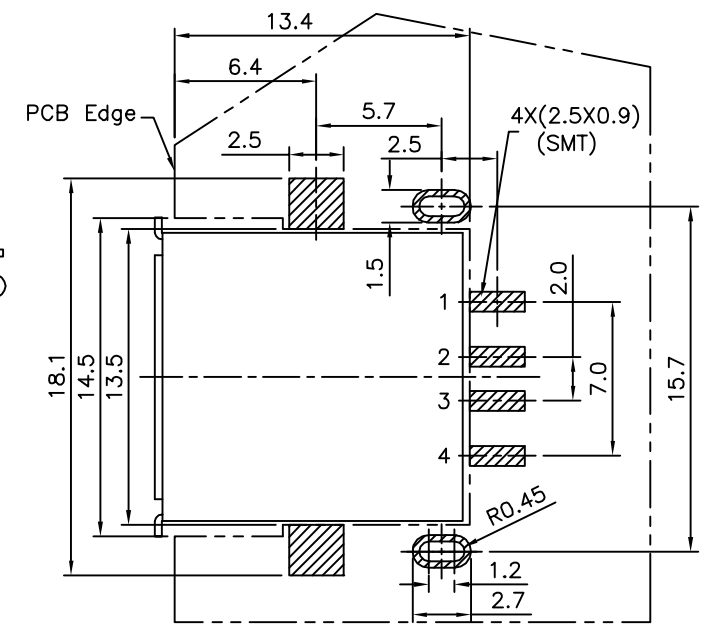
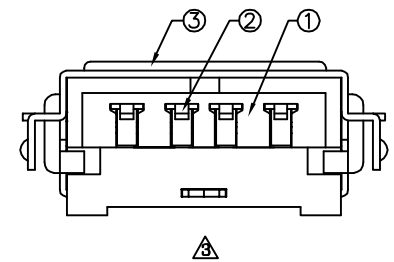
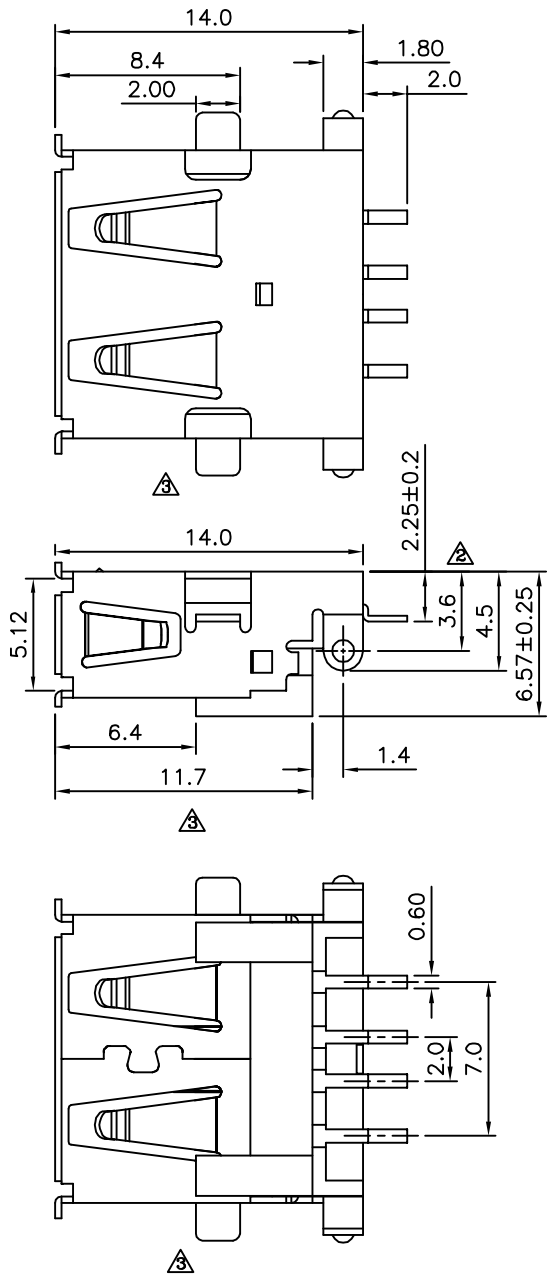
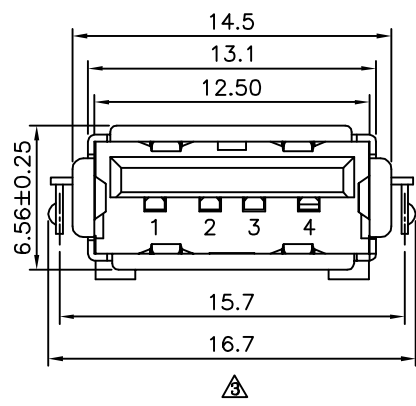


△ SPECIFICATION
 Rated Voltage And Current:1.5A At 250V AC Min.
 Withstand Voltage:750V AC(RMS)
 For 1 Minute(Rev. 1.1)
 Contact Resistance:30 Milliohms Max.
 Insulation Resistance:1000 Megaohms Min.
 At 500V DC
 Durability(Life Test):1500 Cycles
 Insertion Force:35N Max.
 Extraction Force:10N Min.
 RoHS Compliant



△ Recommended P.C.B. Layout(Top View)

No.	Name	Material	Q'ty	Remark
①	Housing	PA9T+G.F.	1	Black
△ ②	Terminal	Phosphor Bronze	4	Gold Flash On Contact Area,Tin Plated On Solder Tails,Over Nickel
△ ③	Shell	Stainless	1	Nickel Plated

4UCON 元化興業股份有限公司
 4UCON TECHNOLOGY INC.

DRAWING No.		APPROVED BY		UNLESS OTHERWISE SPECIFIED TOLERANCES ARE △ X. ±0.38 .X ±0.25 .XX ±0.13 .XXX ±0.05
19498		EMILY		
		HZF		
		DRAWING BY		UNIT mm
		SAN		
SCALE	NONE	REV.	A4	①

NO.	REV.	REVISIONS	CHK	DATE
△ A4		Modify Data	HZF	03/27/2014
△ A3		Modify Data	HZF	06/20/2013
△ A2		Modify Dim	HZF	07/08/2009
△ A1		Modify Data	HZF	06/05/2009
△ A0		NEW RELEASE	HZF	10/06/2008