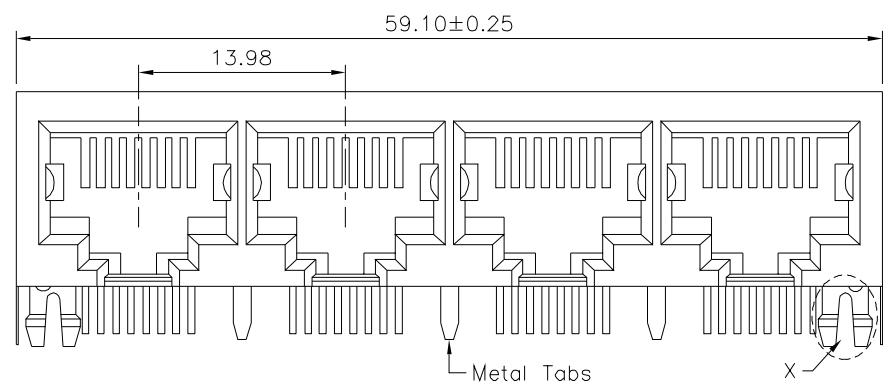
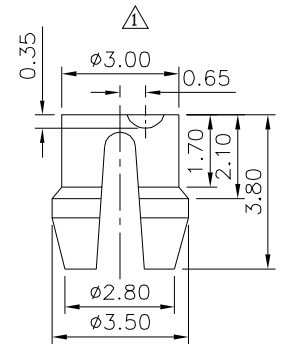
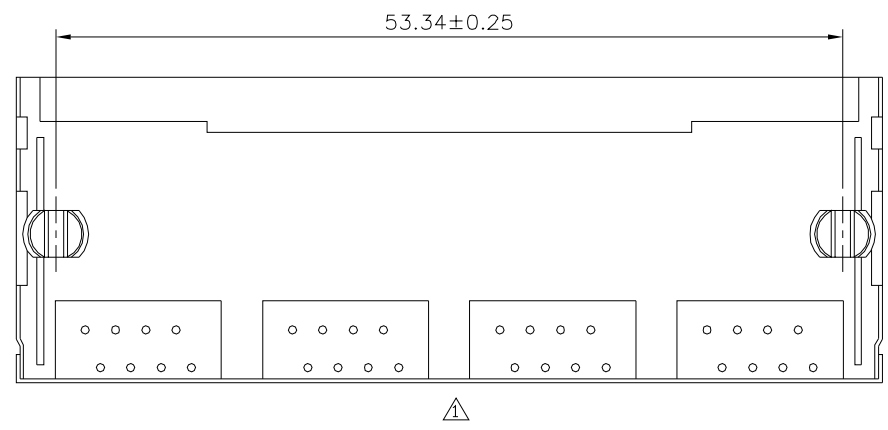
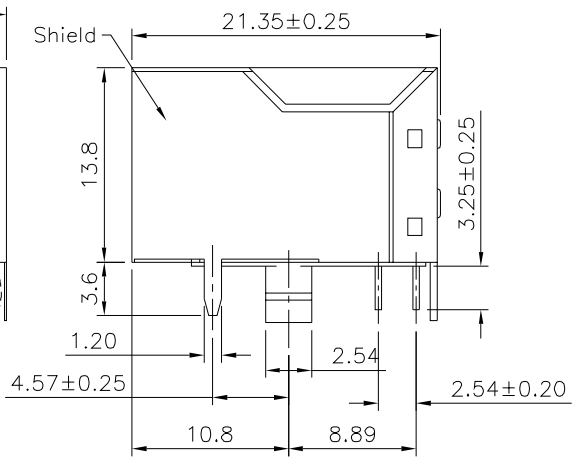


Recommended P.C.B. Layout



Metal Tabs



Detail X

△△ SPECIFICATION

Current Rating: 1.5A Max.
 Voltage Rating: 150V AC Max.
 Operating Temperature: -40°C ~ +85°C
 Relative Humidity: 70% ± 10% RH
 Insulation Resistance: 500 Megaohms Min. Initial
 At 500V DC
 Contact Resistance: 20 Milliohms Max. Initial
 30 Milliohms Max. Final
 Durability: 750 Cycles
 Dielectric Withstanding Voltage:
 1000V RMS. At 60Hz, 1 Minute Between
 Adjacent Contacts
 1500V RMS. At 60Hz, 1 Minute Between
 Shield And Contacts
 Housing: PBT+G.F.(UL94V-0), Black
 Contacts: Phosphor Bronze Ø0.45mm
 Gold Flash Over All, Over Nickel
 Shield: Brass, Nickel Plated
 Cavity Conforms To FCC Rules And
 Regulations Part 68, Subpart F.
 RoHS Compliant

4UCON 元化興業股份有限公司
 4UCON TECHNOLOGY INC.

DRAWING No.		APPROVED BY		UNLESS OTHERWISE SPECIFIED TOLERANCES ARE .X ±0.25 .XX ±0.13 .XXX ±0.05 ANG. ±0.5°
19514		MEI		
		CHECKED BY	HZF	
		DRAWING BY	CYP	
SCALE	NONE	REV.	B2	UNIT mm

NO.	REV.	REVISIONS	CHK	DATE
△2	B2	Modify Data	HZF	08/30/2017
△1	B1	Modify Data	HZF	12/21/2012
△0	B0	NEW RELEASE	BECKY	12/23/2005