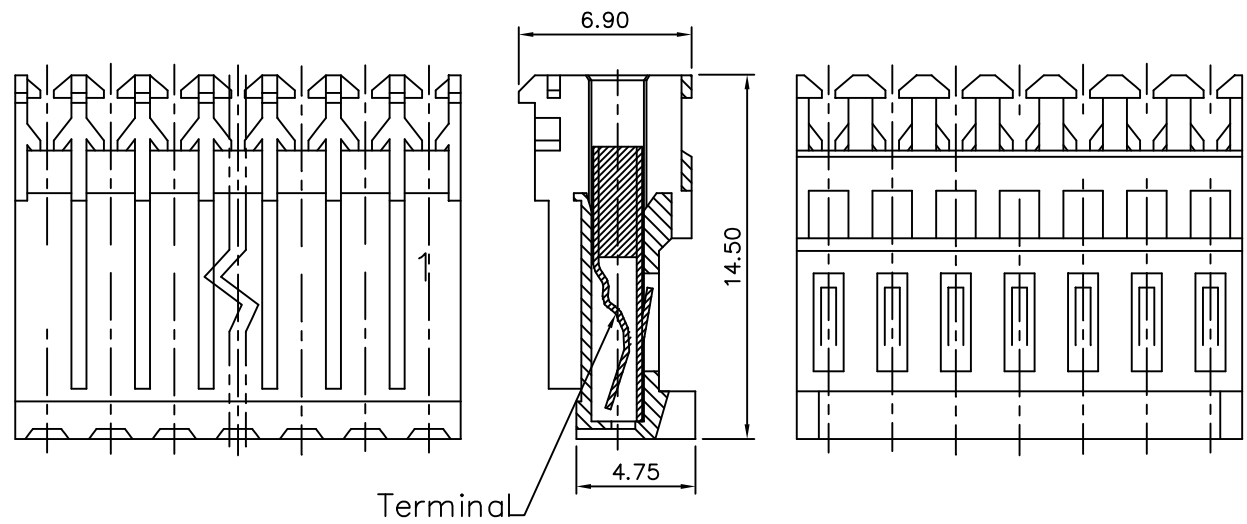
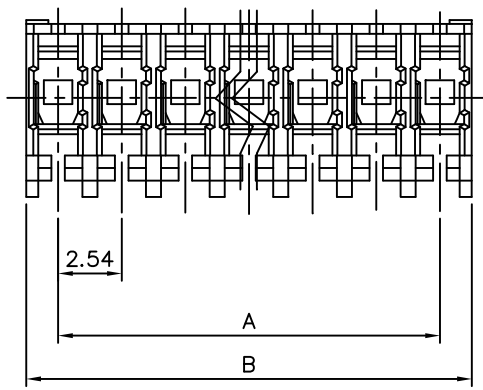


SPECIFICATIONS

Insulator:Nylon,UL 94V-2
 Contact:Brass
 Applicable Wire:#26
 Electrical Rating:UL 250V 2A,AC/DC
 CSA 250V 2A,AC/DC
 Circuit: 2 ~28



| Circuits | Dim.A | Dim.B | Circuits | Dim.A | Dim.B |
|----------|-------|-------|----------|-------|-------|
| 2 | 2.54 | 5.08 | 16 | 38.10 | 40.64 |
| 3 | 5.08 | 7.62 | 17 | 40.64 | 43.18 |
| 4 | 7.62 | 10.16 | 18 | 43.18 | 45.72 |
| 5 | 10.16 | 12.70 | 19 | 45.72 | 48.26 |
| 6 | 12.70 | 15.24 | 20 | 48.26 | 50.80 |
| 7 | 15.24 | 17.78 | 21 | 50.80 | 53.34 |
| 8 | 17.78 | 20.32 | 22 | 53.34 | 55.88 |
| 9 | 20.32 | 22.86 | 23 | 55.88 | 58.42 |
| 10 | 22.86 | 25.40 | 24 | 58.42 | 60.96 |
| 11 | 25.40 | 27.94 | 25 | 60.96 | 63.50 |
| 12 | 27.94 | 30.48 | 26 | 63.50 | 66.04 |
| 13 | 30.48 | 33.02 | 27 | 66.04 | 68.58 |
| 14 | 33.02 | 35.56 | 28 | 68.58 | 71.12 |
| 15 | 35.56 | 38.10 | | | |

4UCON 元化興業股份有限公司
 4UCON TECHNOLOGY INC.

DRAWING No. 19532
 APPROVED BY MEI
 CHECKED BY BECKY
 DRAWING BY TCF
 SCALE NONE
 REV. A0
 UNIT mm

UNLESS OTHERWISE SPECIFIED TOLERANCES ARE
 .X ±0.30
 .XX ±0.20
 ANG.
 A0 NEW RELEASE
 NO.REV. REVISIONS CHK DATE