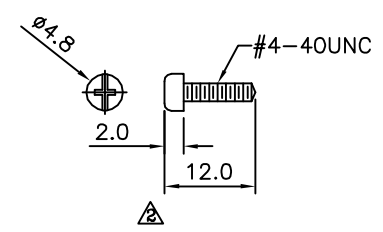
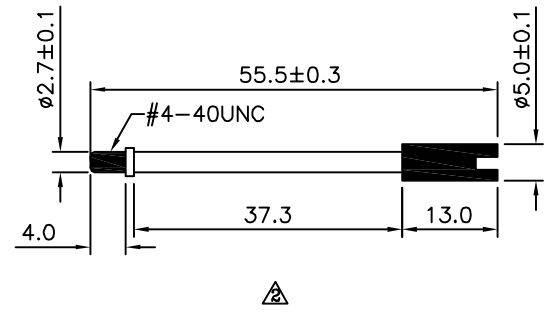
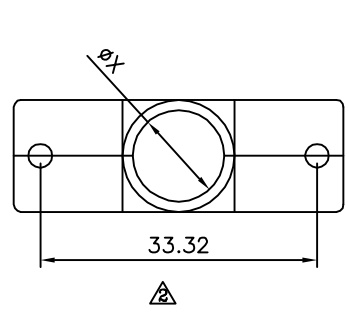
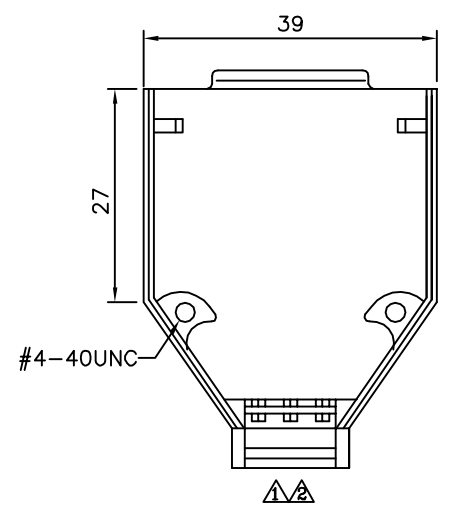
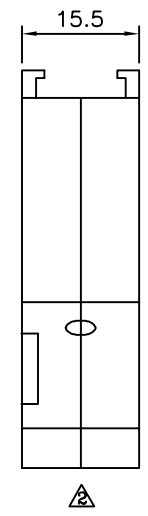
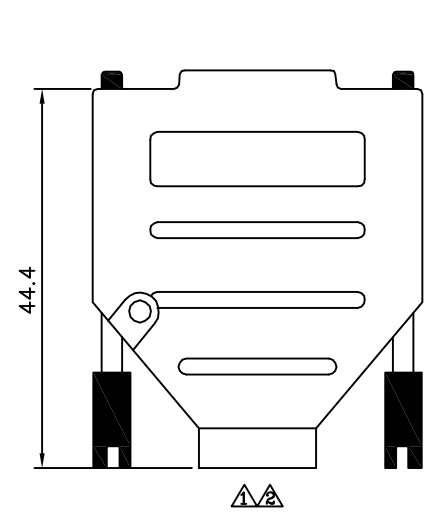


**△ SPECIFICATION**

Material: Zinc Alloy, Nickel Plated  
 Screw: Steel, Nickel Plated  
 X-OD(mm): 6.0, 7.5, 9.0, 11.0  
 RoHS Compliant



**4UCON**

元化興業股份有限公司  
 4UCON TECHNOLOGY INC.

DRAWING No.		APPROVED BY		UNLESS OTHERWISE SPECIFIED TOLERANCES ARE X. ±0.5 .X ±0.3 .XX ±0.2 ANG. ±5°
19559		MEI		
		CHECKED BY		
HZF		DRAWING BY		
HAO		A2		UNIT
SCALE	NONE	REV.	A2	mm

NO.	REV.	REVISIONS	CHK	DATE
△ A2		Modify Data	HZF	03/08/2016
△ A1		Modify Data	HZF	11/17/2009
△ A0		NEW RELEASE	HZF	01/31/2008