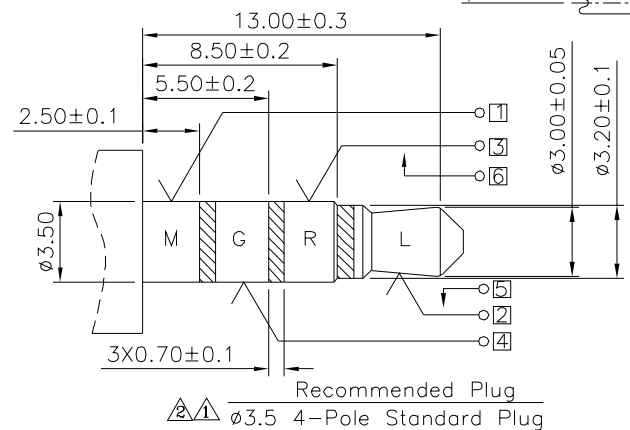
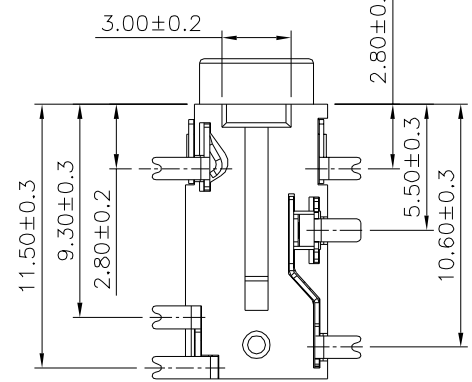
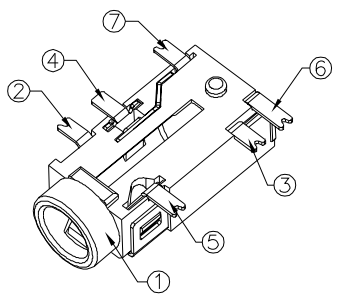


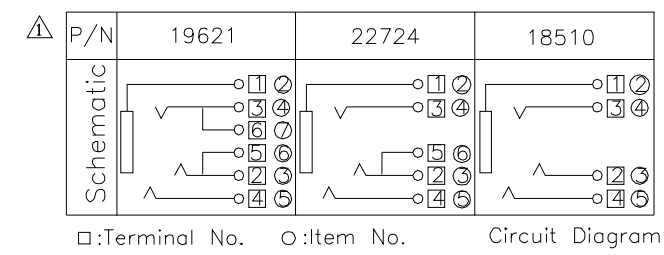
Recommended P.C.B. Layout(Top View)
(PCB Board Tolerance±0.05)

△ SPECIFICATION
 Rating:DC 30V 0.5A
 Withstand Voltage:500V AC
 Contact Resistance:30 Milliohms Max.
 After Test:50 Milliohms Max.
 Insulation Resistance:100 Megaohms Min.(DC 500V)
 After Test:50 Megaohms Min.
 Insertion And Extraction Force:3~30N
 Operation Temperature:-20°C~+70°C
 RoHS Compliant



Recommended Plug
 △△ △3.5 4-Pole Standard Plug

No.	Description	Q'ty	Material	Remark
⑦	Shunt Terminal	1	Phosphor Bronze	Gold Plated Over Nickel
⑥	Shunt Terminal	1	Brass	Gold Plated Over Nickel
⑤	Ring Spring	1	Phosphor Bronze	Gold Plated Over Nickel
④	Ring Spring	1	BeCu	Gold Plated Over Nickel
③	Tip Spring	1	BeCu	Gold Plated Over Nickel
②	Earth Spring	1	Phosphor Bronze	Gold Plated Over Nickel
①	Housing	1	PA10T,UL94V-0	Black



4UCON 元化興業股份有限公司
 4UCON TECHNOLOGY INC.

DRAWING No. △		APPROVED BY MEI		UNLESS OTHERWISE SPECIFIED TOLERANCES ARE .X ±0.38 X.* ±5* .XX ±0.30 .X.* ±3* .XXX ±0.15 .XX.* ±2*
19621		CHECKED BY HZF		
SCALE NONE		DRAWING BY CYP		
REV.	B2	UNIT mm	REV.	NO. REV.

NO.	REV.	REVISIONS	CHK	DATE
△	B2	Modify Data	HZF	08/24/2023
△	B1	Modify Data	HZF	06/04/2021
△	B0	Modify Data	HZF	10/22/2018
△	B0	NEW RELEASE	HZF	10/22/2018