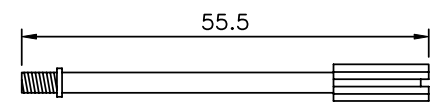
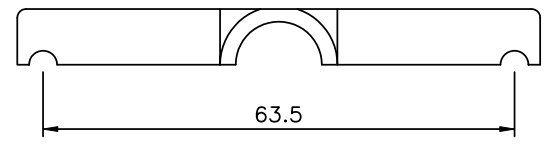
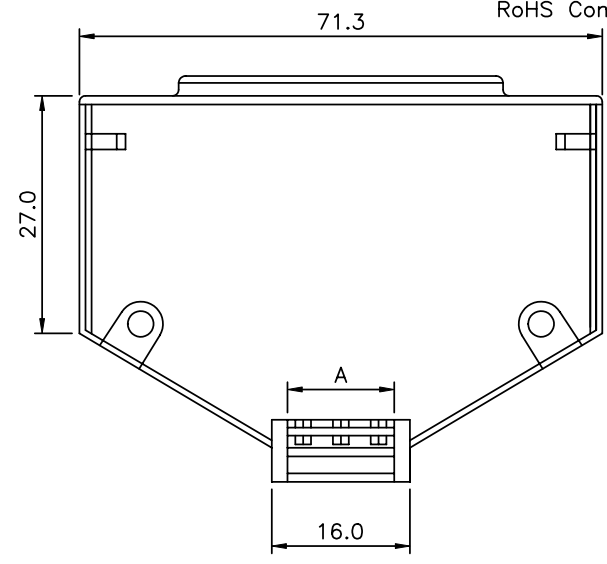
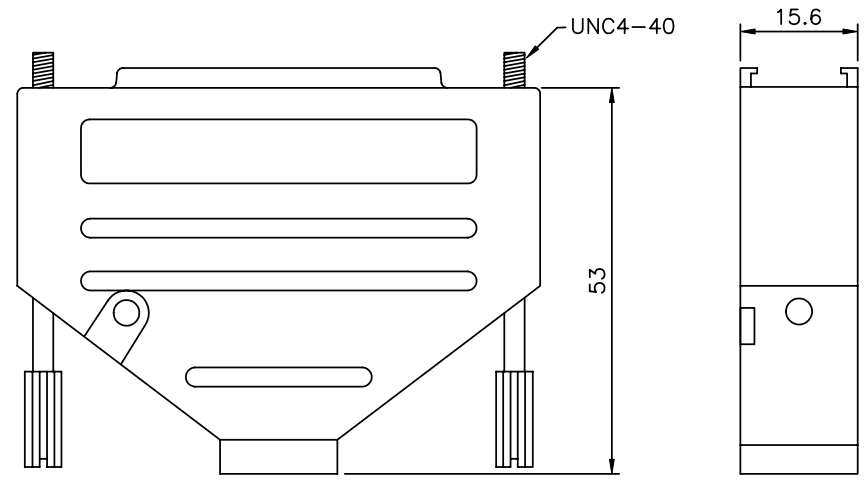


SPECIFICATION
 Housing: Zinc Alloy Die Cast Nickel Plated
 Accessories: Steel/Nickel Plated
 A-OD(mm): 9.0, 11.0
 RoHS Compliant



4UCON 元化興業股份有限公司
 4UCON TECHNOLOGY INC.

DRAWING No.		APPROVED BY		UNLESS OTHERWISE SPECIFIED					
19623		MEI		TOLERANCES ARE					
		CHECKED BY		X. ±0.3					
		HZF		.X ±0.2					
		DRAWING BY		.XX ±0.10					
		JLT		.XXX ±0.005					
SCALE	NONE	REV.	A0	UNIT	mm	△ A0	NEW RELEASE	HZF	01/31/2008
						NO. REV.	REVISIONS	CHK	DATE