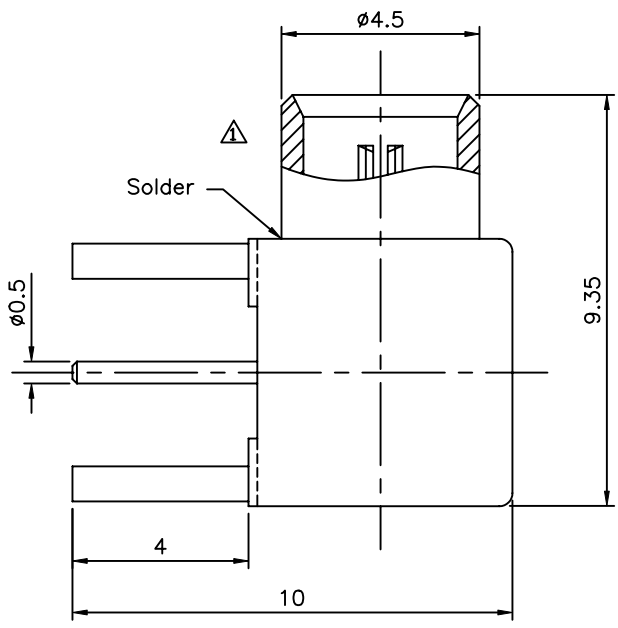
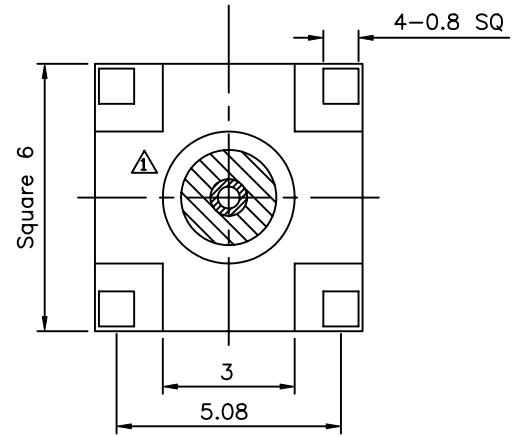


△ Recommended PCB Mounting Holes



△ SPECIFICATION

Impedance: 75 Ohms
 Frequency Range: 0-3 GHz
 Working Voltage: 170V RMS Max.
 Dielectric Withstanding Voltage: 500V RMS Max.
 Insulation Resistance: 10,000 Megaohms Min.
 Contact Resistance: Center Contact: 5.0 Milliohms Max.
 Outer Contact: 2.5 Milliohms Max.
 VSWR: 1.50 Max.(Right Angle)
 Temperature Range: -40°C To +155°C
 Mating: "Push-Pull" Snap-On Coupling
 Connector Durability: 500 Matings Min.
 Cable Attachment: Hex Braid-Crimp Or Solder
 RoHS Compliant

No.	Description	Material	Q'ty	Finish
05	Body	Brass	1	Gold
04	Insulator	Teflon	1	
03	Body	Brass	1	Gold
02	Insulator	Teflon	1	
01	Center Pin	Beryllium Copper	1	Gold

4UCON 元化興業股份有限公司
 4UCON TECHNOLOGY INC.

DRAWING No.		APPROVED BY		UNLESS OTHERWISE SPECIFIED TOLERANCES ARE X. ±0.4 .X ±0.4 .XX ±0.4
19645		MEI		
		CHECKED BY HZF		
		DRAWING BY LXX		
SCALE	NONE	REV.	A1	UNIT mm

NO.	REV.	REVISIONS	CHK	DATE
△ A1		Modify Data	HZF	10/21/2009
△ A0		NEW RELEASE	SHIN	02/24/2006