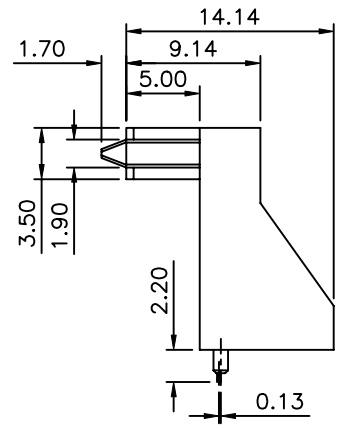
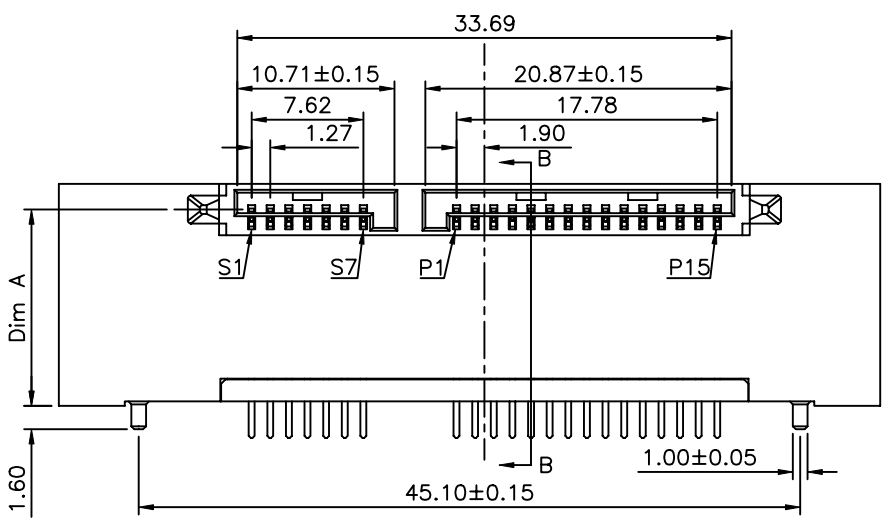
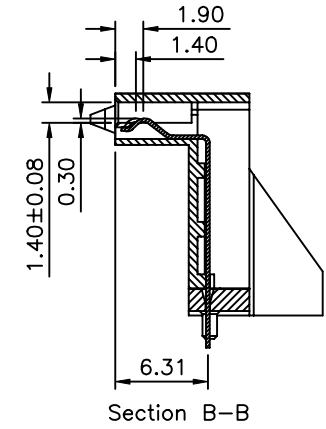
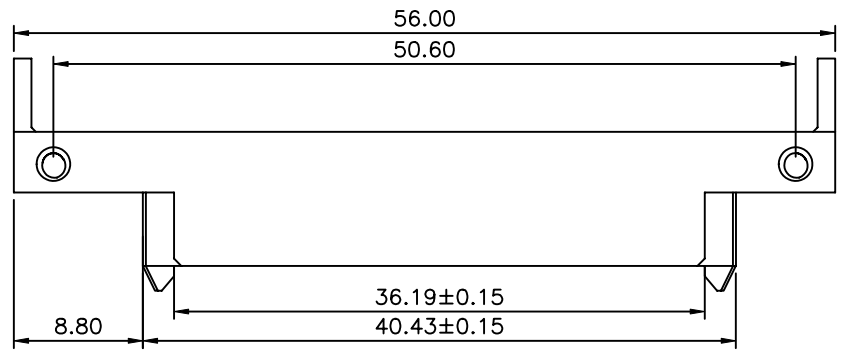


SPECIFICATION
 Current Rating:1.5 Amp Per Contact
 Dielectric Withstanding Voltage:500V AC
 Contact Resistance:30 Milliohms Max.
 Insulation Resistance:1000 Megaohms Min.
 Operation Temperature:-20°C~+85°C
 Base:High Temperature Thermoplastic(UL94V-0)
 Nut:Copper Alloy,Nickel Plated
 Terminal:Copper Alloy
 Gold Flash On Contact Area
 Misty Tin Plated On Solder Tail,Under Nickel
 RoHS Compliant

SERIES NO.	Stand Off(Dim A)
19724	13
19723	15



4UCON 元化興業股份有限公司
 4UCON TECHNOLOGY INC.

DRAWING No.		APPROVED BY		UNLESS OTHERWISE SPECIFIED TOLERANCES ARE .X ±0.30 .XX ±0.25 ANG. ±1°
19724		MEI		
		CHECKED BY	HZF	
		DRAWING BY	WZL	
SCALE	NONE	REV.	A0	UNIT mm

△ A0	NEW RELEASE	HZF	07/23/2009
NO. REV.	REVISIONS	CHK	DATE