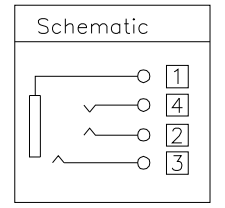
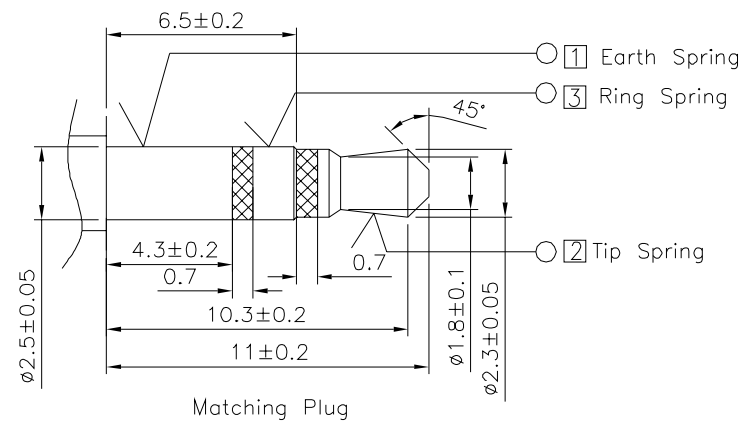
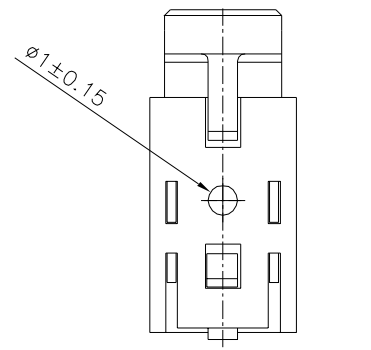
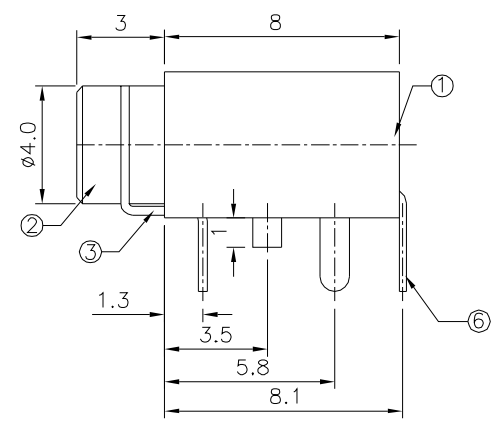
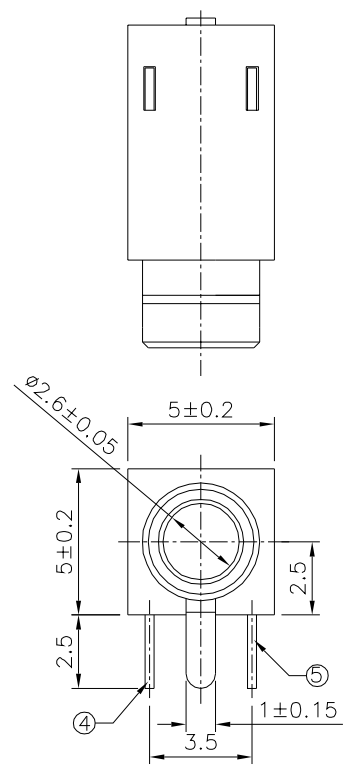
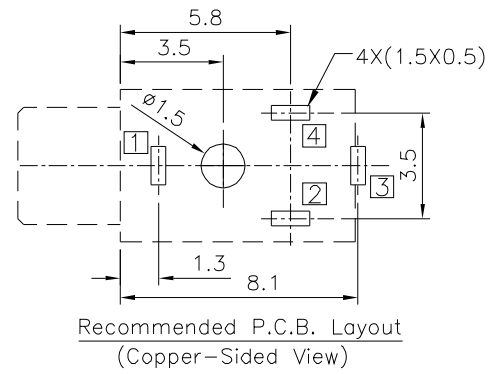


**SPECIFICATION**  
 Rating:DC 30V,0.5A  
 Contact Resistance:30 Milliohms Max.  
 After Test:50 Milliohms Max.  
 Insulation Resistance:100 Megaohms Min.(250V DC)  
 After Test:50 Megaohms Min.  
 Withstand Voltage:500V AC  
 Insertion And Extraction Force:3N~25N  
 Life Test:5000 Cycles Min.  
 Operation Temperature Range:-20°C~+70°C  
 Preservation Temperature Range:-40°C~+85°C  
 RoHS Compliant



⑥	Ring Spring	③	1	Phosphor Bronze	Tin Plated Over Nickel
⑤	Tip Spring-2	④	1	Phosphor Bronze	Tin Plated Over Nickel
④	Tip Spring-1	②	1	Phosphor Bronze	Tin Plated Over Nickel
③	Earth Spring	①	1	Brass	Tin Plated Over Nickel
②	Bushing		1	Brass	CuNi Plated
①	Housing		1	PA66	Black
No.	Description	Q'ty	Material	Remark	

○ :Item No.    □ :Terminal No.

**4UCON** 元化興業股份有限公司  
 4UCON TECHNOLOGY INC.

DRAWING No. 19726  
 APPROVED BY MEI  
 CHECKED BY HZF  
 DRAWING BY CYP  
 SCALE NONE REV. BO

UNLESS OTHERWISE SPECIFIED TOLERANCES ARE

.X	±0.38	X.*	±5°				
.XX	±0.30	.X*	±3°				
.XXX	±0.15	.XX*	±2°				
△	BO	Modify Data	HZF	08/01/2017			
△	BO	NEW RELEASE	HZF	08/01/2017			
NO.	REV.	REVISIONS	CHK	DATE			