

SPECIFICATION

- General Characteristics:**
0.8mm Board To Board Male XXP SMT 180°
With Post Stacking Height=5.0mm With Cap
Tape&Reel 800 PCS/Reel
- Material&Finish:**
Insulator:PA46(UL94V-0),Beige
Contact:Phosphor Bronze,Gold Plated
- Electrical Characteristics:**
Current Rating:0.5A AC/DC
Voltage Rating:100V AC/DC
Contact Resistance:40 Milliohms Max.
Insulation Resistance:100 Megaohms Min.
Withstanding Voltage:500V RMS For One Minute
- Environmental Characteristics:**
Operation Temperature Range:-40°C~+105°C
- RoHS Compliant**

Series No.(Plug)	Series No.(Socket)	A1	H
1633	1636	3.55	5.00

Pin	A	B	C	D	Pin	A	B	C	D
10	6.20	4.90	5.00	3.20	34	15.80	14.50	14.60	12.80
12	7.00	5.70	5.80	4.00	36	16.60	15.30	15.40	13.60
14	7.80	6.50	6.60	4.80	38	17.40	16.10	16.20	14.40
16	8.60	7.30	7.40	5.60	40	18.20	16.90	17.00	15.20
18	9.40	8.10	8.20	6.40	50	22.20	20.90	21.00	19.20
20	10.20	8.90	9.00	7.20	60	26.20	24.90	25.00	23.20
22	11.00	9.70	9.80	8.00	68	29.40	28.10	28.20	26.40
24	11.80	10.50	10.60	8.80	70	30.20	28.90	29.00	27.20
26	12.60	11.30	11.40	9.60	80	34.20	32.90	33.00	31.20
28	13.40	12.10	12.20	10.40	90	38.20	36.90	37.00	35.20
30	14.20	12.90	13.00	11.20	100	42.20	40.90	41.00	39.20
32	15.00	13.70	13.80	12.00					

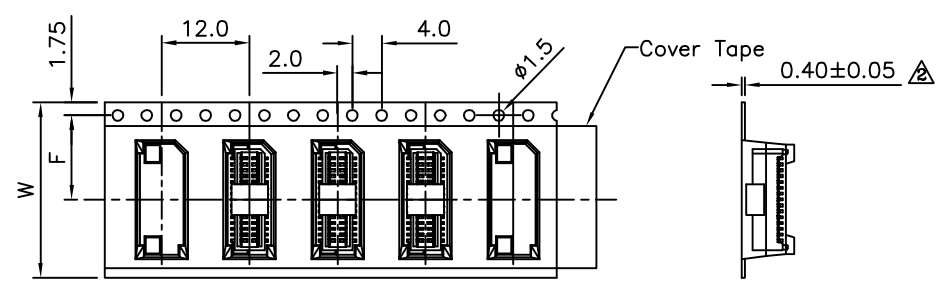
4UCON 元化興業股份有限公司
4UCON TECHNOLOGY INC.

DRAWING No.		APPROVED BY		UNLESS OTHERWISE SPECIFIED TOLERANCES ARE .X ±0.20 .XX ±0.15 ANG.
19733		MEI		
		CHECKED BY	HZF	
		DRAWING BY	SONG	
SCALE	NONE	REV.	A2	UNIT mm

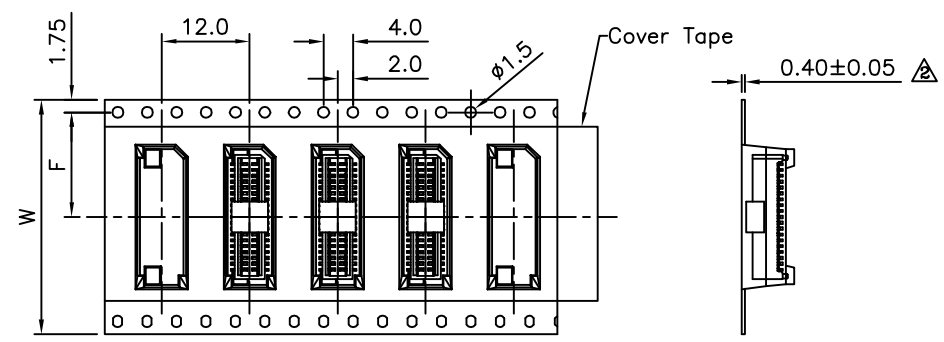
NO.	REV.	REVISIONS	CHK	DATE
△A2		Modify Data	HZF	08/01/2011
△A1		Modify Data	HZF	05/18/2010
△A0		NEW RELEASE	HZF	02/04/2009

SPECIFICATION

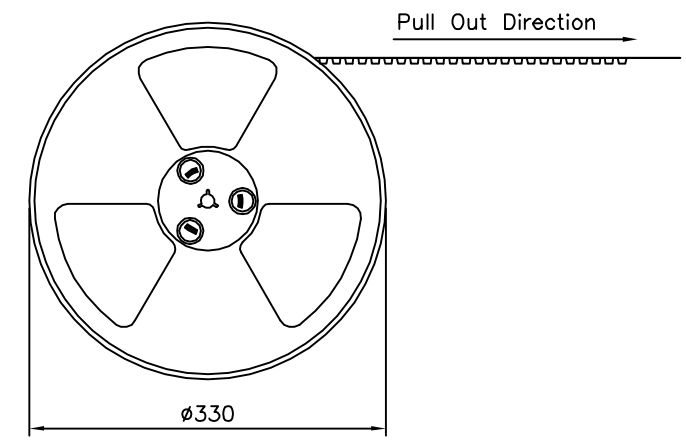
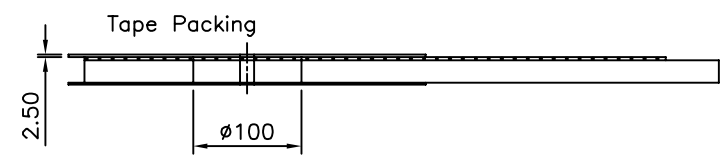
All Dimensions Meet EIA-481-3 Requirements
 Material:WH Conductive Polystyrene Alloy 100% Recycable
 Component Load Per 13" Reel:800 PCS
 Carton Size:350X350X296mm
 Need Vacuum Pack
 RoHS Compliant



For Reel Width(Dimension W)16,24mm Single Row Hole



For Reel Width(Dimension W)32,44,56,72mm Double Rows Hole



Pin	W	F	PCS/Reel
10-16	16	7.5	800
18-30	24	11.5	800
32-40	32	14.2	800
50-70	44	20.2	800
80-100	56	26.2	800

4UCON 元化興業股份有限公司
 4UCON TECHNOLOGY INC.

DRAWING No.		APPROVED BY		UNLESS OTHERWISE SPECIFIED TOLERANCES ARE .X ±0.20 .XX ±0.15 ANG.
19733		MEI		
		HZF		
		DRAWING BY		UNIT mm
		SONG		
SCALE	NONE	REV.	A2	

NO.	REV.	REVISIONS	CHK	DATE
△A2		Modify Data	HZF	08/01/2011
△A1		Modify Data	HZF	05/18/2010
△A0		NEW RELEASE	HZF	02/04/2009