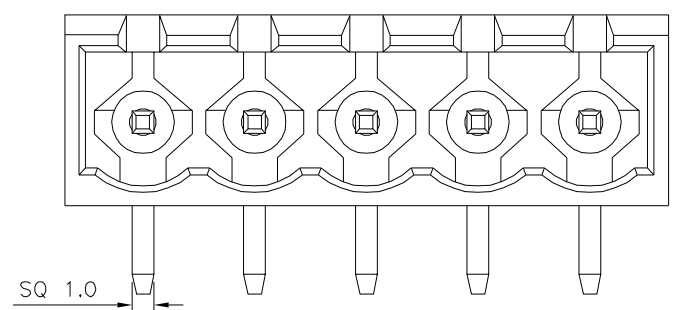
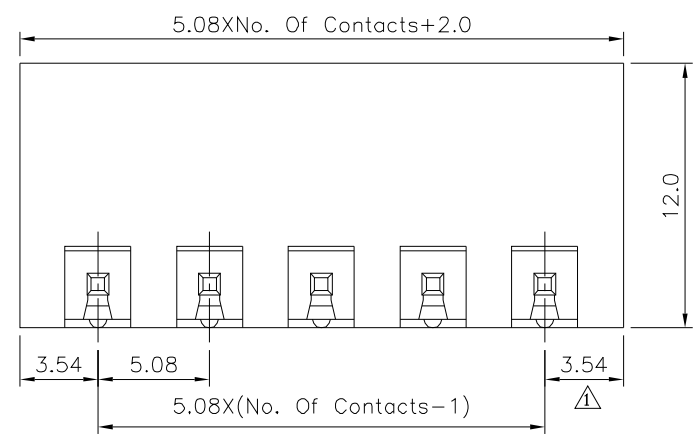
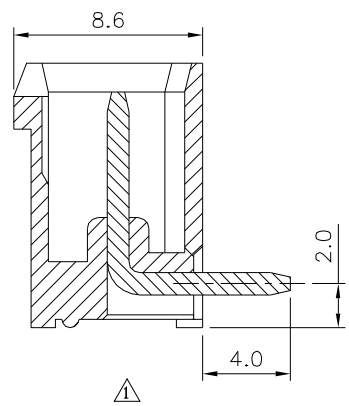


△ Recommended P.C.B. Layout



△ SPECIFICATION

Current Rating:16A
Voltage Rating:300V AC
Withstanding Voltage:2500V AC For 1 Minute
Using Temperature Range:-40°C~+105°C
Soldering Temperature:+250°C,5s Max.
Insulator Body(Housing):Polyamide+G.F.(UL94V-0),Green
Solder Pin:Copper Alloy,Tin Plated
RoHS Compliant

4UCON 元化興業股份有限公司
4UCON TECHNOLOGY INC.

DRAWING No. 19884

APPROVED BY MEI
CHECKED BY HZF
DRAWING BY CYP

SCALE NONE

REV. A4

UNLESS OTHERWISE SPECIFIED TOLERANCES ARE
△ X, ±0.50
.X ±0.30
.XX ±0.20
ANG. ±1°

UNIT mm

△ A4	Modify Data	HZF	04/29/2022
△ A3	Modify Data	HZF	12/10/2015
△ A2	Modify Data	HZF	06/16/2015
△ A1	Modify Data	HZF	08/29/2013
△ A0	NEW RELEASE	HZF	12/04/2009
NO. REV.	REVISIONS	CHK	DATE