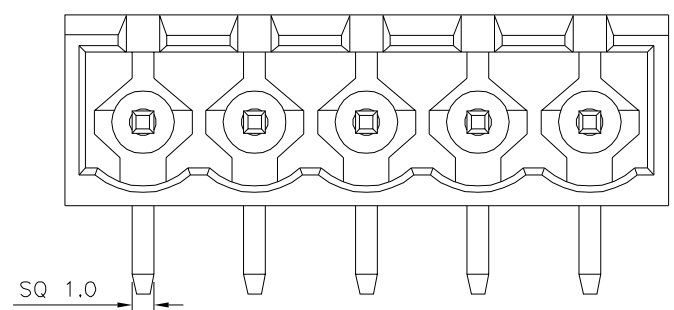
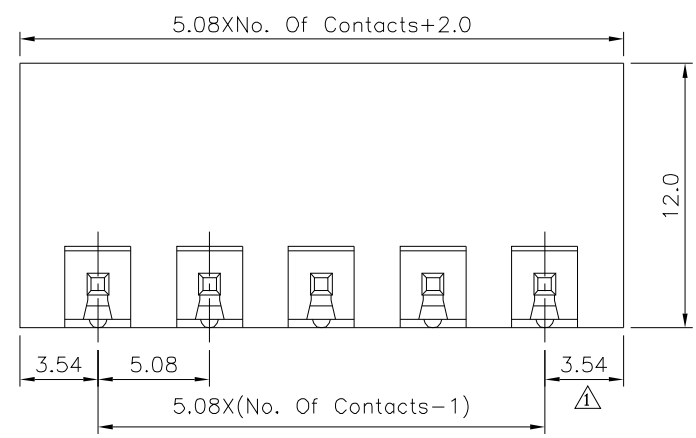
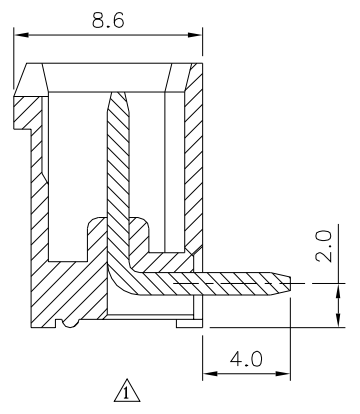


△ Recommended P.C.B. Layout



△ SPECIFICATION

Current Rating:16A  
 Voltage Rating:300V AC  
 Withstanding Voltage:2500V AC For 1 Minute  
 Using Temperature Range:-40°C~+105°C  
 Soldering Temperature:+250°C,5s Max.  
 Insulator Body(Housing):Polyamide+G.F.(UL94V-0),Green  
 Solder Pin:Copper Alloy,Tin Plated  
 RoHS Compliant

**4UCON** 元化興業股份有限公司  
 4UCON TECHNOLOGY INC.

DRAWING No. 19886

APPROVED BY MEI  
 CHECKED BY HZF  
 DRAWING BY CYP

SCALE NONE

REV. A4

UNLESS OTHERWISE SPECIFIED TOLERANCES ARE  
 △ X, ±0.50  
 .X ±0.30  
 .XX ±0.20  
 ANG. ±1°

UNIT mm

△ A4	Modify Data	HZF	04/29/2022
△ A3	Modify Data	HZF	12/10/2015
△ A2	Modify Data	HZF	06/16/2015
△ A1	Modify Data	HZF	08/29/2013
△ A0	NEW RELEASE	HZF	12/04/2009
NO. REV.	REVISIONS	CHK	DATE