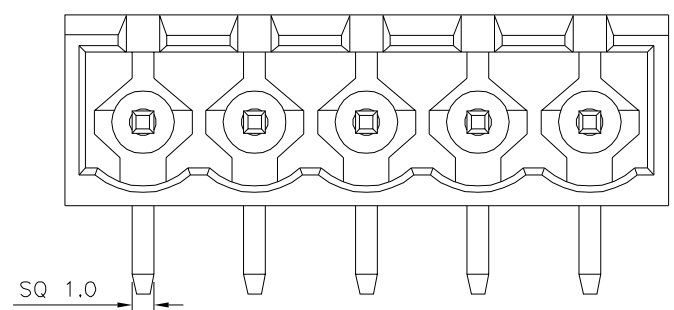
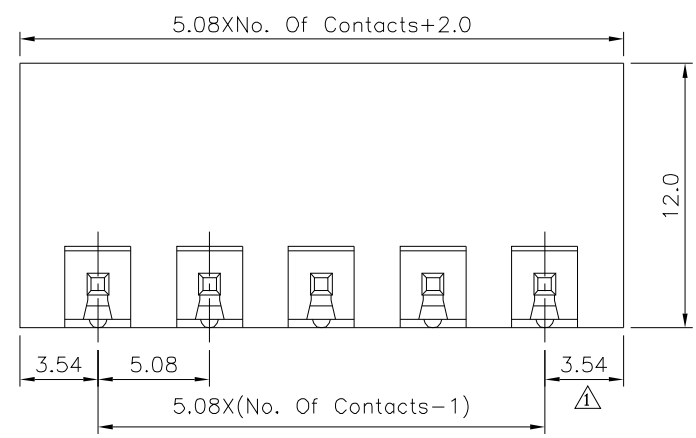
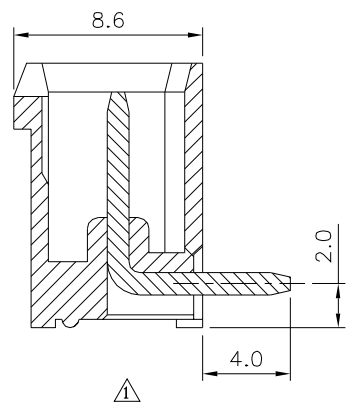


△ Recommended P.C.B. Layout



△ SPECIFICATION

Current Rating:16A
 Voltage Rating:300V AC
 Withstanding Voltage:2500V AC For 1 Minute
 Using Temperature Range:-40°C~+105°C
 Soldering Temperature:+250°C,5s Max.
 Insulator Body(Housing):Polyamide+G.F.(UL94V-0),Green
 Solder Pin:Copper Alloy,Tin Plated
 RoHS Compliant

4UCON 元化興業股份有限公司
 4UCON TECHNOLOGY INC.

DRAWING No. 19887

APPROVED BY MEI
 CHECKED BY HZF
 DRAWING BY CYP

SCALE NONE

REV. A4

UNLESS OTHERWISE SPECIFIED TOLERANCES ARE
 △ X. ±0.50
 .X ±0.30
 .XX ±0.20
 ANG. ±1°

UNIT mm

△ A4	Modify Data	HZF	04/29/2022
△ A3	Modify Data	HZF	12/10/2015
△ A2	Modify Data	HZF	06/16/2015
△ A1	Modify Data	HZF	08/29/2013
△ A0	NEW RELEASE	HZF	12/04/2009
NO. REV.	REVISIONS	CHK	DATE