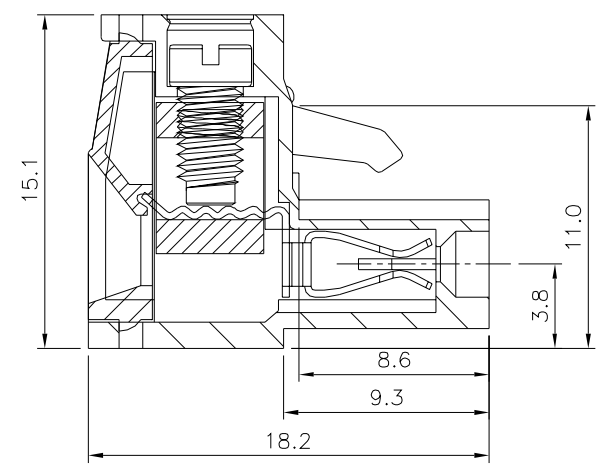
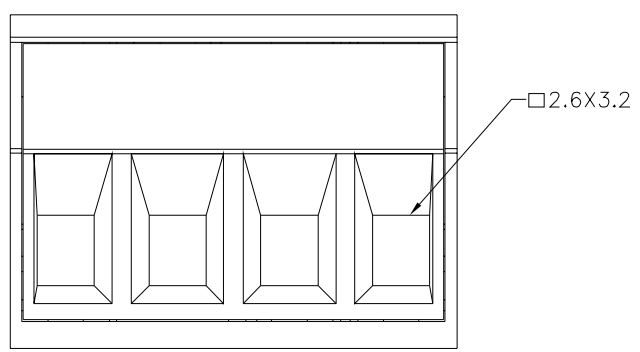
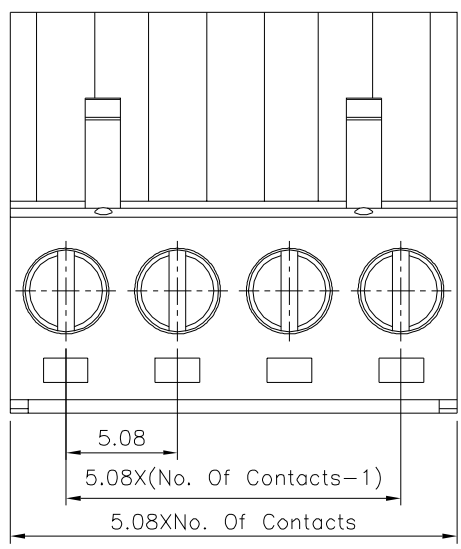


**SPECIFICATION**  
 Current Rating:16A/Way Max.  
 Voltage Rating:300V AC  
 Contact Resistance:20 Milliohms Max.  
 Withstanding Voltage:2500V AC/Minute  
 Operation Temperature:-40°C~+105°C  
 Wire Range:12~26 AWG  
 Torque:5.0 Kgf.cm/M3  
 Insulator Body:Polyamide(UL94V-0),Green  
 Contact:Copper Alloy,Nickel Plated  
 Wire Guard:Copper Alloy,Tin Plated  
 Screw:Steel,Galvanized With Cr3+ Plated  
 RoHS Compliant



**4UCON** 元化興業股份有限公司  
 4UCON TECHNOLOGY INC.

DRAWING No.		APPROVED BY	
19892		Jason Wu	
		CHECKED BY	
		Leo Han	
		DRAWING BY	
		Michelle Lee	
SCALE	NONE	REV.	B0

UNLESS OTHERWISE SPECIFIED TOLERANCES ARE  
 X. ±0.50  
 .X ±0.30  
 .XX ±0.20  
 ANG. ±1°

UNIT	mm				
NO.	REV.	REVISIONS	CHK	DATE	
△	B0	NEW RELEASE	HZF	07/25/2024	