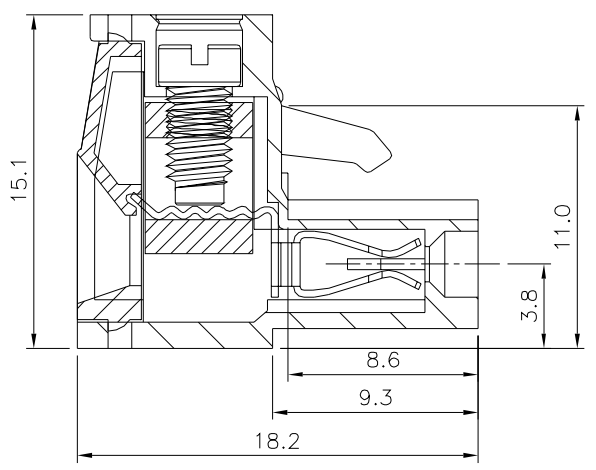
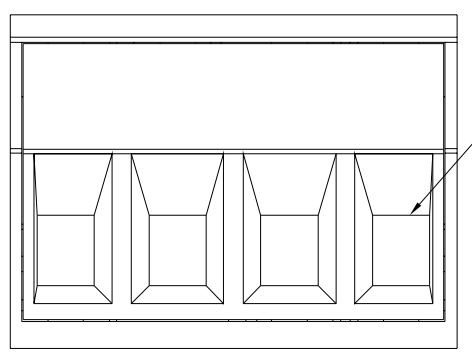
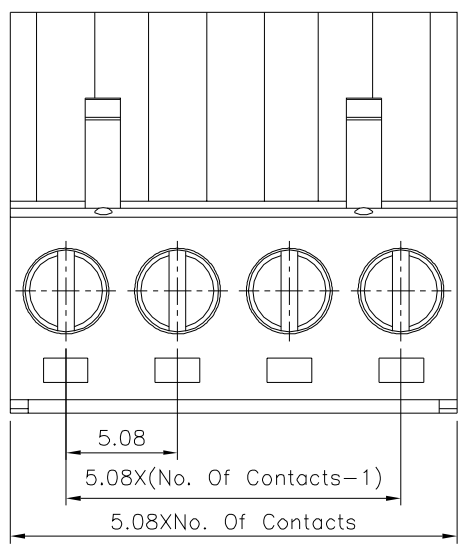


SPECIFICATION
 Current Rating:16A/Way Max.
 Voltage Rating:300V AC
 Contact Resistance:20 Milliohms Max.
 Withstanding Voltage:2500V AC/Minute
 Operation Temperature:-40°C~+105°C
 Wire Range:12~26 AWG
 Torque:5.0 Kgf.cm/M3
 Insulator Body:Polyamide(UL94V-0),Green
 Contact:Copper Alloy,Nickel Plated
 Wire Guard:Copper Alloy,Tin Plated
 Screw:Steel,Galvanized With Cr3+ Plated
 RoHS Compliant



4UCON 元化興業股份有限公司
 4UCON TECHNOLOGY INC.

| | | | | |
|-------------|------|--------------|----|--|
| DRAWING No. | | APPROVED BY | | UNLESS OTHERWISE SPECIFIED TOLERANCES ARE X. ±0.50 .X ±0.30 .XX ±0.20 ANG. ±1° |
| 19893 | | Jason Wu | | |
| | | CHECKED BY | | |
| | | Leo Han | | |
| | | DRAWING BY | | |
| | | Michelle Lee | | |
| SCALE | NONE | REV. | B0 | UNIT |
| | | | | mm |

| | | | | |
|------|------|-------------|-----|------------|
| NO. | REV. | REVISIONS | CHK | DATE |
| △ B0 | | NEW RELEASE | HZF | 07/25/2024 |