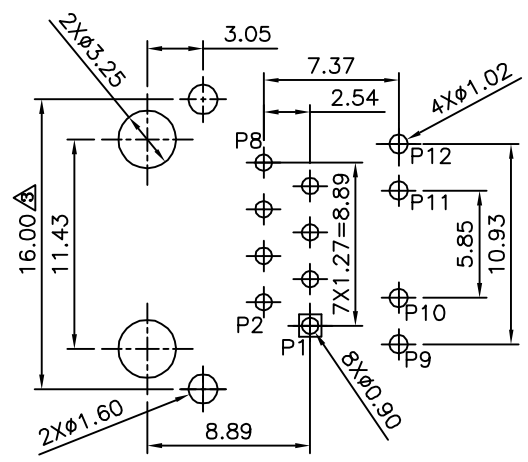
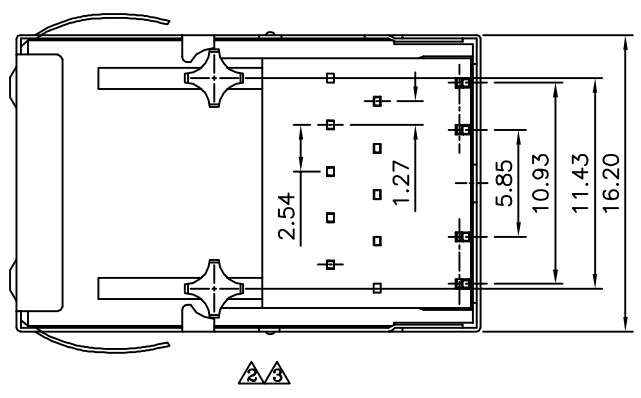


△ SPECIFICATION
 Housing:PA66(UL94V-0),Black
 Inserter:PBT(UL94V-0),Black
 △ Contact:Phosphor Bronze
 Gold Plated 6u" On Contact Area,
 Tin Plated On Solder Tails,Over Nickel
 Shield:Brass,Nickel Plated
 △ Operation Temperature:0°C~+70°C
 Storage Temperature:-40°C~+85°C
 Pin Not Electrically Connected Maybe Omitted See
 Electrical Drawing For Omitted Pins
 RJ45 Cavities Conform To FCC Rules And Regulation Part 68
 RoHS Compliant



△ Recommended PCB Layout(Component Side View)
 Tolerances:±0.10

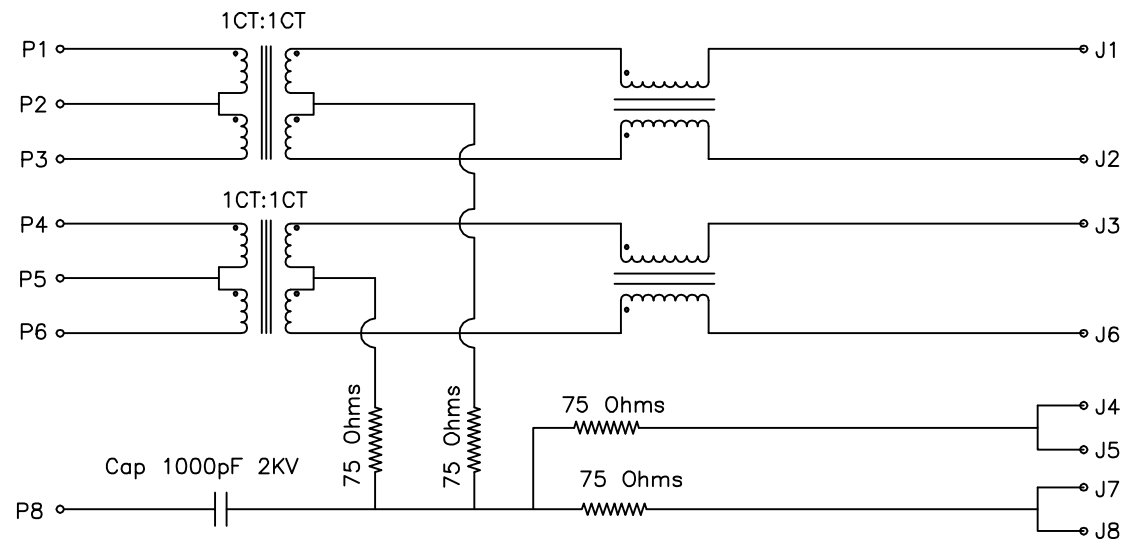


LED Color		
Code	Forward	Reverse
A	Green	Red
C	Green	Yellow(Amber)
D	Yellow	Red
E	Yellow	Green
F	Red	Green
G	Green	--
H	Red	Yellow
I	Beige	--
J	Green	Orange
K	Black	--
L	Lime	--
M	Orange	Green
N	Amber	--
O	Orange	--
R	Red	--
Y	Yellow	--

4UCON 元化興業股份有限公司
 4UCON TECHNOLOGY INC.

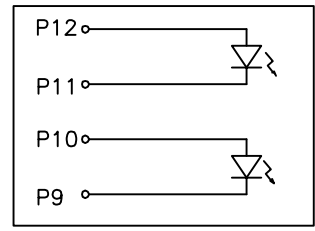
DRAWING No.		APPROVED BY		UNLESS OTHERWISE SPECIFIED TOLERANCES ARE △ .XX ±0.254
19938		MEI		
		CHECKED BY		
		HZF		
		DRAWING BY		
		HAO		
SCALE	NONE	REV.	B3	UNIT mm

△ B3	Modify Data	HZF	10/07/2015
△ B2	Modify Data	HZF	01/06/2015
△ B1	Modify Data	HZF	03/13/2013
△ B0	NEW RELEASE	HZF	10/31/2010
NO.REV.	REVISIONS	CHK	DATE



ELECTRICAL SPECIFICATION

- 1.0 Turn Ratio:(P1~P3):(J1~J2):1:1±5%
(P4~P6):(J3~J6):1:1±5%
 - 2.0 Primary Inductance:350uH Min. @100KHz,0.1V 8mA DC Bias
 - 3.0 DC Resistance:(J1~J2):(J3~J6):1.2 Ohms Max.
 - 4.0 Insertion Loss:1~100MHz:-1.2dB Max.
 - 5.0 Return Loss:1~30MHz:-16dB Min.
30~60MHz:-12dB Min.
60~80MHz:-10dB Min.
 - 6.0 Cross Talk:1~100MHz:-30dB Min.
 - 7.0 Common To Common Mode Attenuation:1~100MHz:-30dB Min.
 - 8.0 Isolation:PHY Side To Line Side:1500V AC Or 2250V DC
- RoHS Compliant



LED Color Option

Left LED Single Color Right LED Single Color	Left LED Single Color Right LED Dual Color	Left LED Dual Color Right LED Single Color	Left LED Dual Color Right LED Dual Color

*F: Forward ; R: Reverse

4UCON 元化興業股份有限公司
4UCON TECHNOLOGY INC.

DRAWING No.		APPROVED BY		UNLESS OTHERWISE SPECIFIED TOLERANCES ARE .X ±0.38 .XX ±0.25
19938		MEI		
		CHECKED BY		
		HZF		
		DRAWING BY		
		HAO		
SCALE	NONE	REV.	B3	UNIT mm

NO.	REV.	REVISIONS	CHK	DATE
△	B3	Modify Data	HZF	10/07/2015
△	B2	Modify Data	HZF	01/06/2015
△	B1	Modify Data	HZF	03/13/2013
△	B0	NEW RELEASE	HZF	10/31/2010