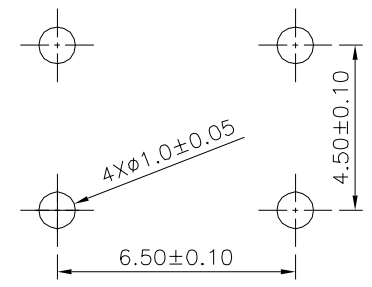
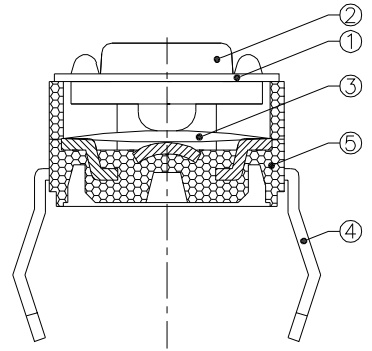
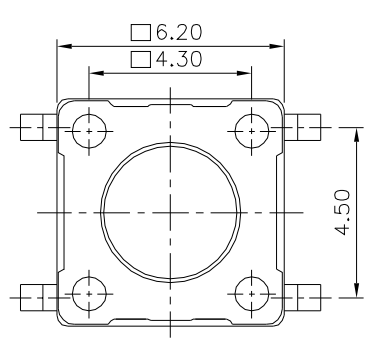
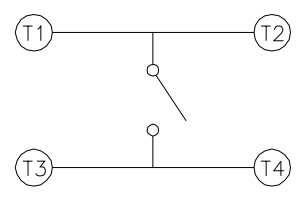
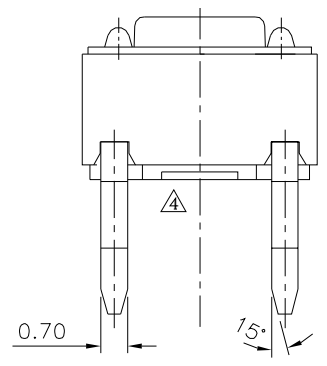
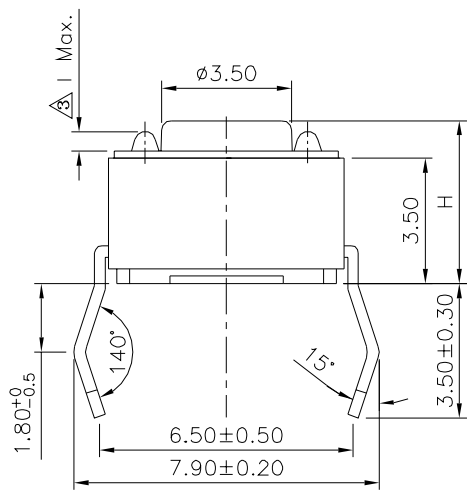


△△ SPECIFICATION

Current Range:50mA,12V DC
 Dielectric Withstand Voltage:250V AC(50Hz Or 60Hz)
 For 1 Minute
 Contact Resistance:100 Milliohms Max.
 Insulation Resistance:100 Megaohms Min.
 Operation Temperature Range:-25°C~+70°C
 Storage Temperature Range:-30°C~+80°C
 RoHS Compliant



Recommended P.C.B. Layout



Circuit Diagram

Stem color	Operating force
Brown(Standard)	160g
Black	100g
Blue	70g
Red	260g
Orange	320g
Yellow	520g

△ Dim. H	Dim. I
4.3 (Standard)	0.5
5.0	0.6
7.0	
9.5	
13.0	

△	NO.	Description	Q'ty	Material	Remark
⑤	1	Base	1	PA66,UL94V-0	Black
④	1	Terminal	1	Brass	Silver Plated
③	1	Contact	1	Phosphor Bronze	Silver Cladding
②	1	Stem	1	PA66,UL94V-0	
①	1	Cover	1	Stainless Steel	

4UCON 元化興業股份有限公司
 4UCON TECHNOLOGY INC.

DRAWING No.		APPROVED BY		UNLESS OTHERWISE SPECIFIED TOLERANCES ARE .X ±0.20 .XX ±0.20
19945		EMILY		
		HZF		
SCALE		DRAWING BY		UNIT mm
NONE		SONG		
REV.	A4	NO.		REVISIONS

△	NO.	REVISIONS	CHK	DATE
A4	1	Modify Data	HZF	08/25/2014
A3	1	Modify Data	HZF	08/03/2010
A2	1	Modify Data	HZF	07/26/2010
A1	1	Modify Data	HZF	06/23/2010
A0	1	NEW RELEASE	BECKY	04/14/2005