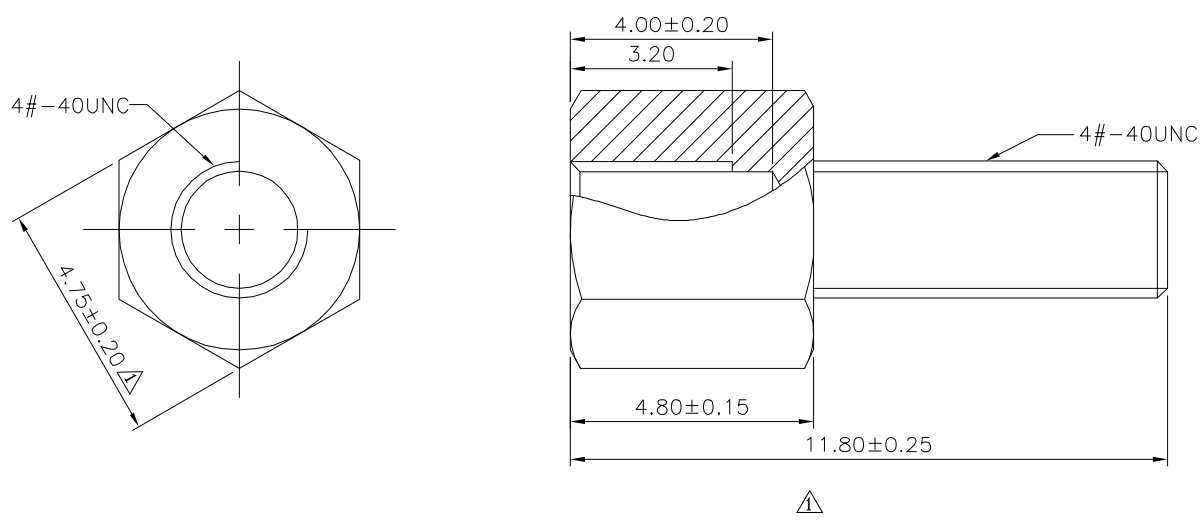


SPECIFICATION
 Screw: Steel, Nickel Plated
 RoHS Compliant



4UCON 元化興業股份有限公司
 4UCON TECHNOLOGY INC.

DRAWING No.		APPROVED BY MEI	
19951		CHECKED BY HZF	
SCALE NONE		DRAWING BY CYP	
REV.	A2	UNIT	

UNLESS OTHERWISE SPECIFIED TOLERANCES ARE			
	.X ± 0.25	.X* ± 3*	
	.XX ± 0.15	.XX* ± 1*	
	.XXX ± 0.05	.XXX* ± 0.5*	
NO. REV.	REVISIONS	CHK	DATE
	A2 Modify Data	HZF	09/10/2020
	A1 Modify Data	HZF	08/08/2017
	A0 NEW RELEASE	HZF	06/03/2012