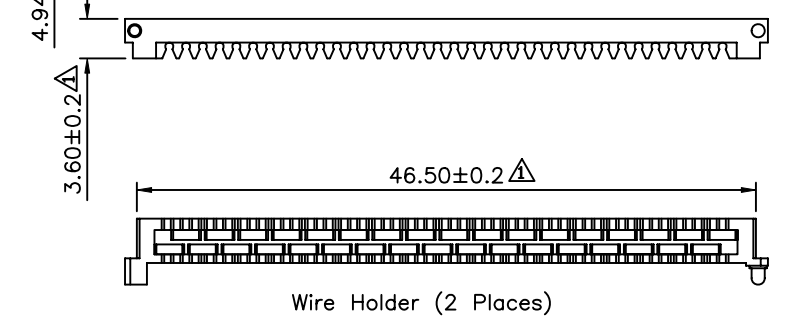
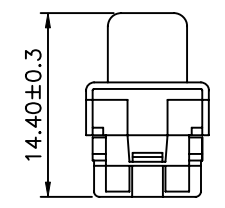
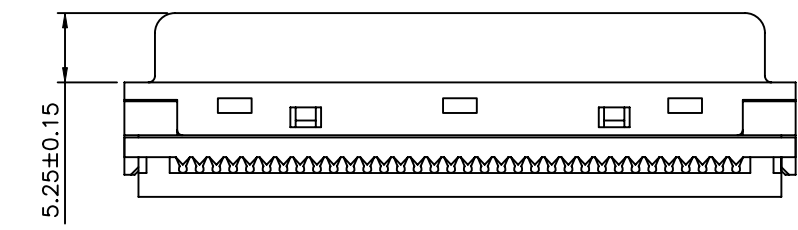
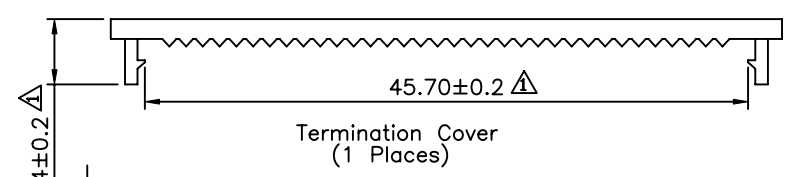
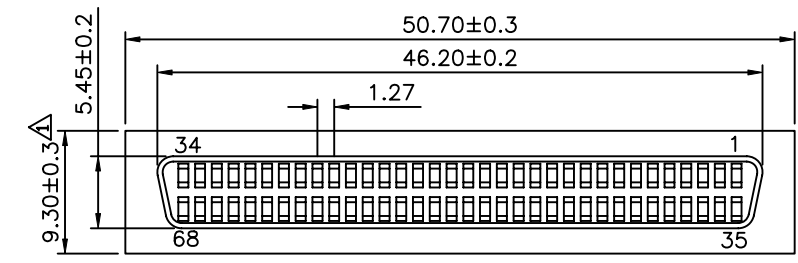
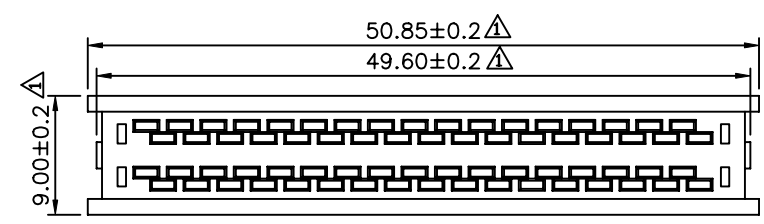
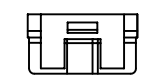
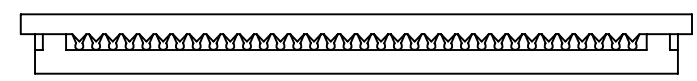
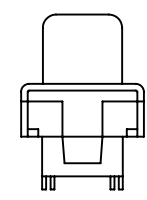
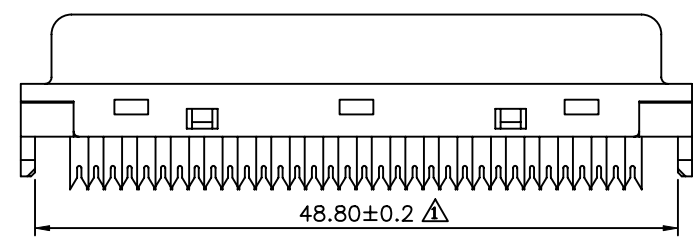


△ SPECIFICATION

Current Rating:1 Amp
 Dielectric Withstanding Voltage:500V AC
 Insulation Resistance:>500 Megaohms Min.
 Contact Resistance:35 Milliohms Max.
 Operation Temperature:-55°C~+105°C
 Housing And Cover:PBT(UL94V-0),Black
 Contact:Phosphor Bronze,Selective Gold Plated 5u"
 Front Shell:Steel,Nickel Plated Over Copper
 Wire Holder:28AWG Or 30AWG Wire(0.62mm)
 RoHS Compliant

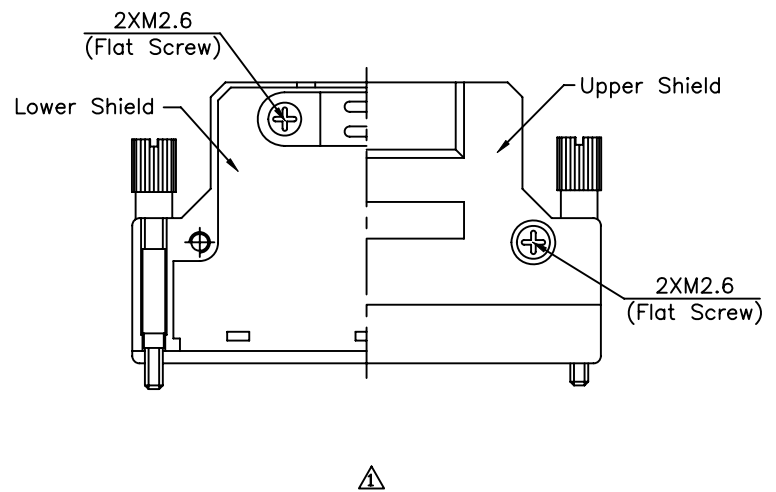
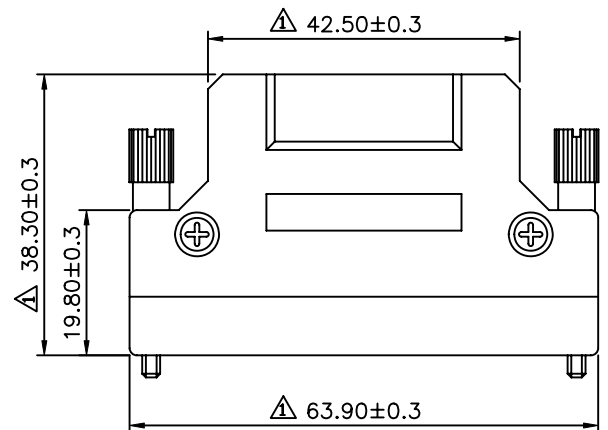
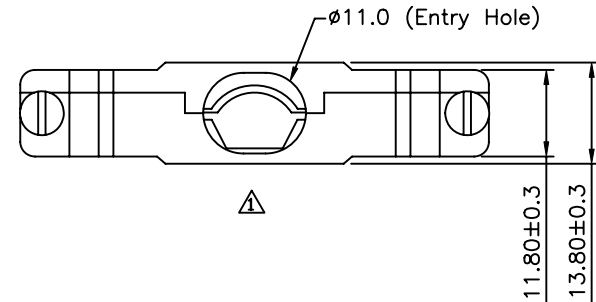
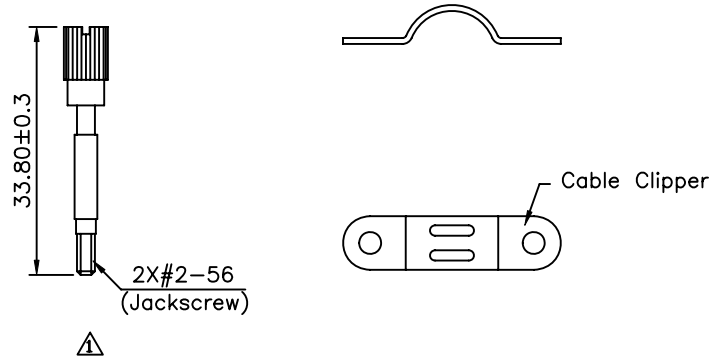


4UCON 元化興業股份有限公司
 4UCON TECHNOLOGY INC.

DRAWING No.		APPROVED BY		UNLESS OTHERWISE SPECIFIED TOLERANCES ARE .X ±0.38 .XX ±0.25 ANG.
19968		MEI		
		HZF		
		DRAWING BY		UNIT mm
		QQJ		
SCALE	NONE	REV.	B1	

NO.	REV.	REVISIONS	CHK	DATE
△ B1		Modify Data	HZF	09/10/2010
△ B0		NEW RELEASE	HZF	11/20/2006

△ SPECIFICATION
 Back Shell: Zinc Alloy, Nickel Plated Over Copper
 Flat Screws: Steel, Nickel Plated Over Copper
 Cable Clipper: Steel, Nickel Plated Over Copper
 Jackscrews: Steel, Nickel Plated Over Copper
 RoHS Compliant



4UCON 元化興業股份有限公司
 4UCON TECHNOLOGY INC.

DRAWING No.		APPROVED BY		UNLESS OTHERWISE SPECIFIED TOLERANCES ARE .X ±0.38 .XX ±0.25 ANG.					
19968		MEI							
		HZF							
		DRAWING BY		UNIT mm		△ B1	Modify Data	HZF	09/10/2010
		QQJ				△ B0	NEW RELEASE	HZF	11/20/2006
SCALE	NONE	REV.	B1			NO. REV.	REVISIONS	CHK	DATE