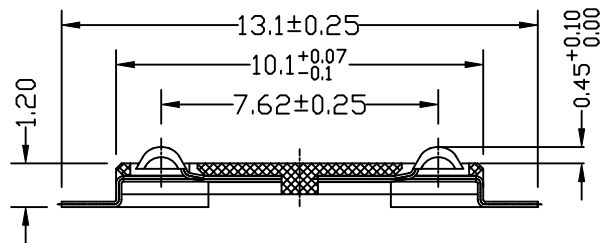
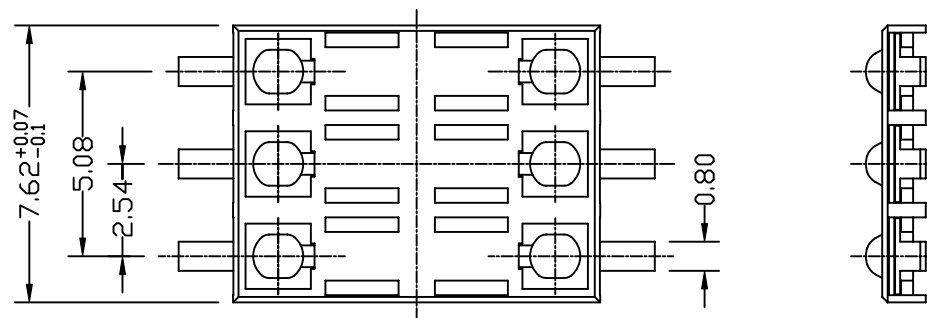


(.XX ±0.05 For PCB)
Reference PCB Layout

Specifications:

1. General Information
 - . Contact Principle: Friction Technology
 - . Mounting Type: SMT
 - . Data Contact Material: Copper Alloy
 - . Insulator Material: Thermoplastic UL94V-0
 - . Data Contacts Plating: Gold Plated Over Nickel
2. Electrical Specification
 - . Contact Resistance: 50m Ohms Max.
 - . Insulator Resistance: 1000M Ohms Min.
 - . Dielectrical Withstanding Voltage: 500V AC
 - . Voltage Rating: 30V AC R.M.S. 1 Min(Sea Level)
 - . Current Rating: 1A Max, 10uA Min.
3. Mechanical Specification
 - . Contact Force: 0.2N~0.6N
 - . Durability: 10,000 Cycles Min.
4. Environmental Specification
 - . Operating Temperature: -20°C~+70°C
 - . Operating Humidity: 20%~95% RH
 - . Solderability: Manual Soldering: 360°C 3 Sec. Max.
Vapor Phase: 215°C 30 Sec. Max.
IR Re-flow: 260°C 15 Sec. Max.

RoHS compliant



4UCON 元化興業股份有限公司
4UCON TECHNOLOGY INC.

DRAWING No.

20010

APPROVED BY

MEI

CHECKED BY

CATHY

DRAWING BY

QXQ

UNLESS OTHERWISE

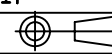
SPECIFIED
TOLERANCES ARE

.X ±0.38

.XX ±0.25

ANG. ±1°

UNIT
mm



SCALE

NONE

REV.

A0

NO.

REV.

NEW RELEASE

REVISIONS

CHK

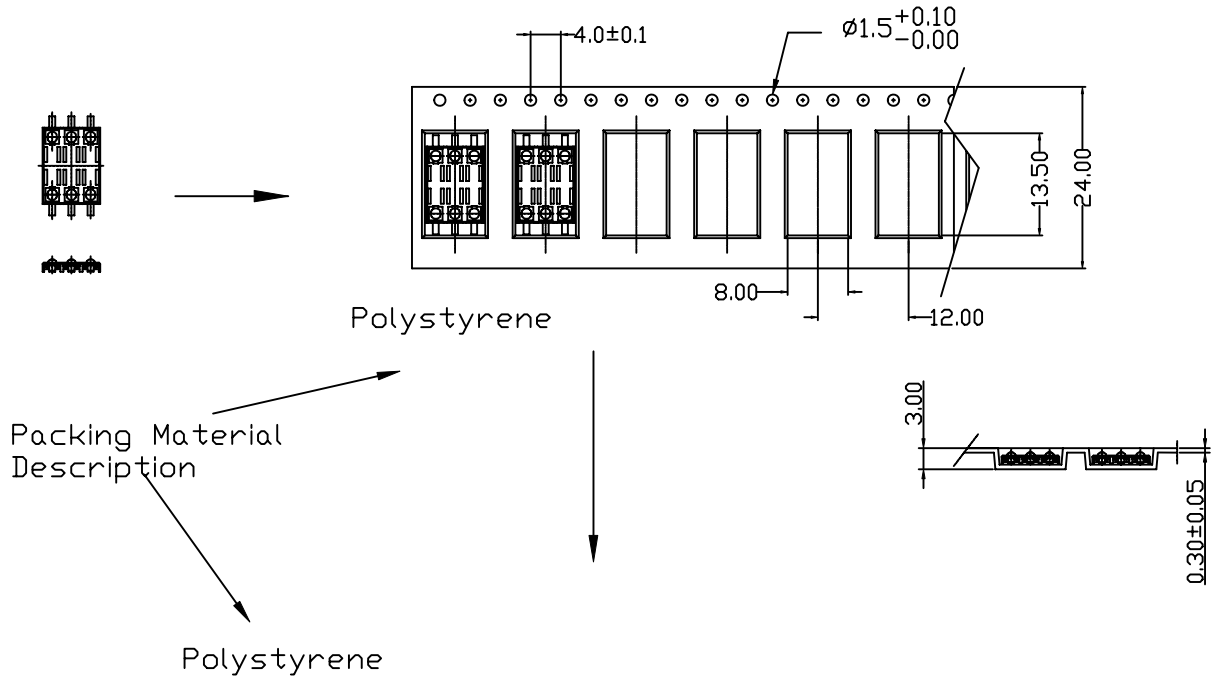
DATE

A0

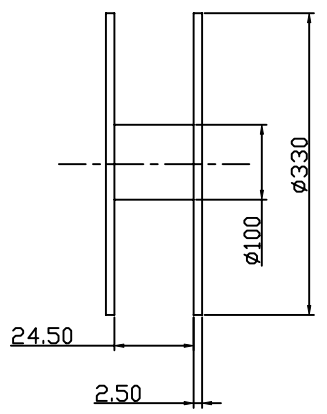
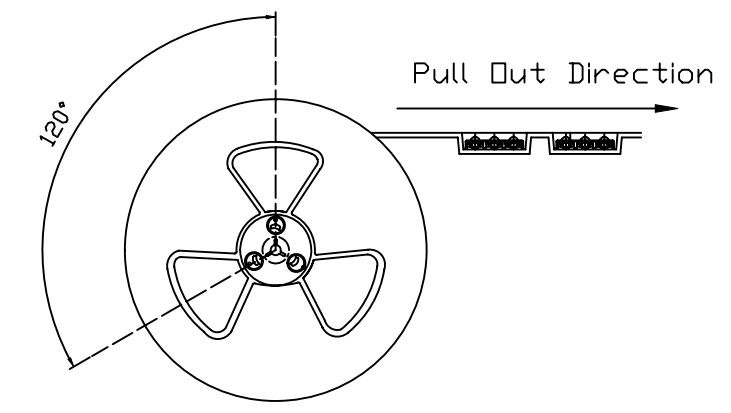
NEW RELEASE

QXQ

11/03/2010



Specifications:
 Reel Size : 330*24.5 mm
 QTY : 2000Pcs/Reel
 RoHS Compliant



4UCON 元化興業股份有限公司
 4UCON TECHNOLOGY INC.

DRAWING No.		APPROVED BY		UNLESS OTHERWISE SPECIFIED TOLERANCES ARE .X ±0.25 .XX ±0.10 ANG.
20010		MEI		
		CATHY		
		DRAWING BY		
		QXQ		
SCALE	NONE	REV.	AO	UNIT mm

NO.	REV.	REVISIONS	CHK	DATE
△	AO	NEW RELEASE	QXQ	11/03/2010