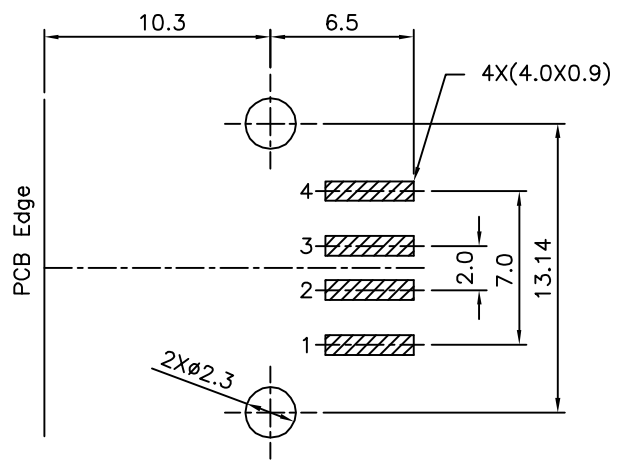
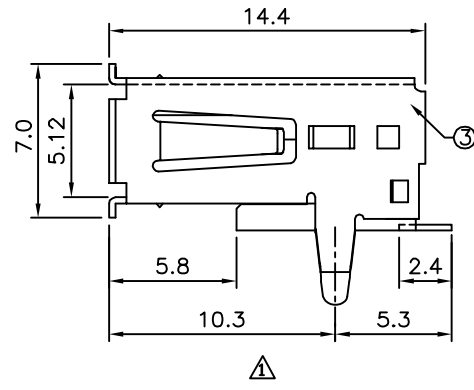
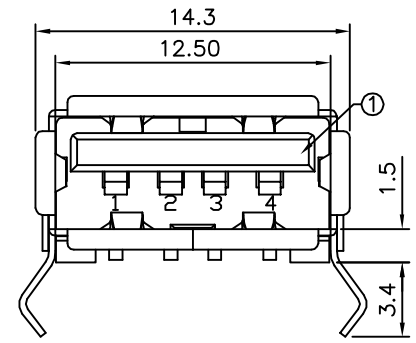
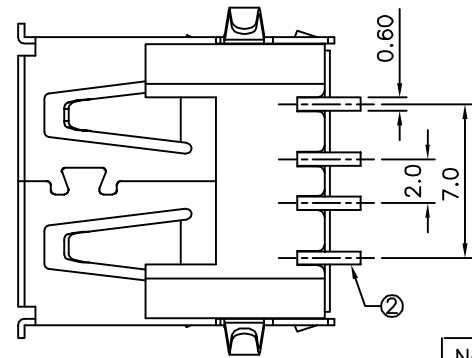


SPECIFICATION
 Rated Voltage And Current:1.5A At 250V AC Min.
 Dielectric Withstanding Voltage:
 750V AC RMS For 1 Minute(Rev. 1.1)
 Contact Resistance:30 Milliohms Max.
 Insulation Resistance:
 1000 Megaohms Min. At 500V DC
 Insertion Force:35N Max.
 Extraction Force:10N Min.
 Durability(Life Test):1500 Cycles
 RoHS Compliant



Recommended P.C.B. Layout(Bottom View)



No.	Description	Q'ty	Material	Remark
①	Housing	1	PA9T+G.F.	20082:White 20057:Black
②	Terminal	4	Phosphor Bronze	Gold Plated On Contact Area, Tin Plated On Solder Tails, Over Nickel
③	Shell	1	Brass	Nickel Plated

4UCON 元化興業股份有限公司
 4UCON TECHNOLOGY INC.

DRAWING No.		APPROVED BY		UNLESS OTHERWISE SPECIFIED TOLERANCES ARE X. ±0.38 .X ±0.25 .XX ±0.13 .XXX ±0.05
20057		MEI		
		CHECKED BY		
		HZF		
		DRAWING BY		
		CYP		
SCALE	NONE	REV.	A1	UNIT mm

NO.	REV.	REVISIONS	CHK	DATE
△	A1	Modify Data	HZF	03/30/2016
△	A0	NEW RELEASE	HZF	07/18/2010