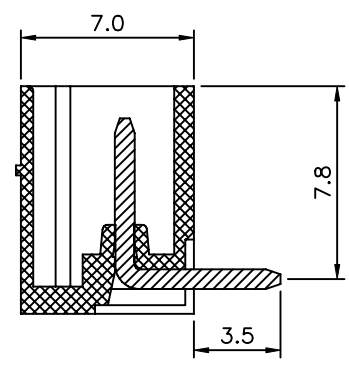
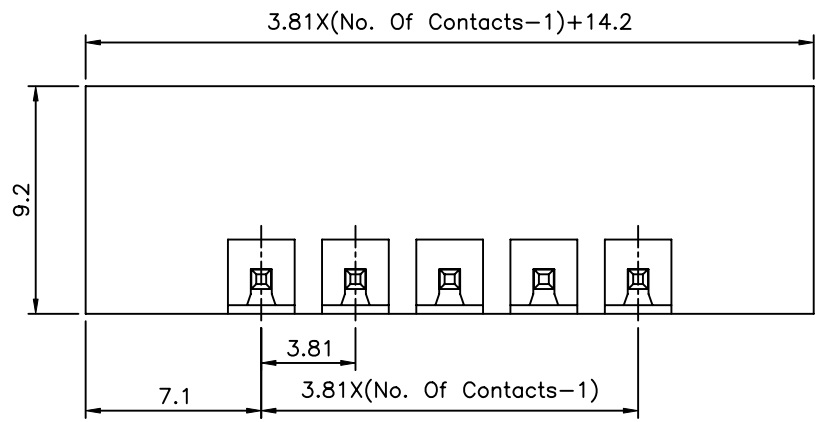
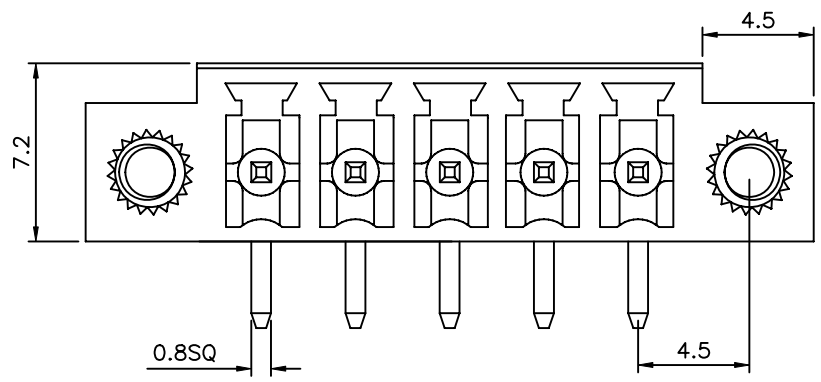


P.C.B Layout

SPECIFICATION
 Current Rating:8A
 Voltage Rating:250V AC
 Withstanding Voltage:AC 1200V(1Minute)
 Insulation Resistance:500 Megaohms At DC 500V
 Using Temperature Range:-40°C~+105°C
 Soldering Temperature:+250°C,5 Seconds Max.
 Insulator Body(Housing):Polyamide
 (Glass Filled)UL94V-0,Green
 Solder Pin:Copper Alloy
 Tin Plated Over Copper Over Nickel
 RoHS Compliant



4UCON 元化興業股份有限公司
 4UCON TECHNOLOGY INC.

DRAWING No.		APPROVED BY		UNLESS OTHERWISE SPECIFIED TOLERANCES ARE X. ±0.50 .X ±0.30 .XX ±0.20 ANG. ±1°
20058		MEI		
		CHECKED BY HZF		
		DRAWING BY QQJ		
SCALE	NONE	REV.	A0	UNIT mm

NO.	REV.	REVISIONS	CHK	DATE
△ A0		NEW RELEASE	HZF	07/24/2010