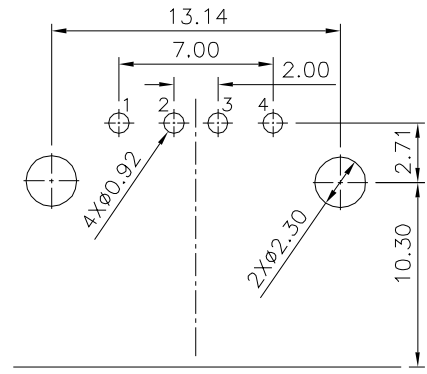
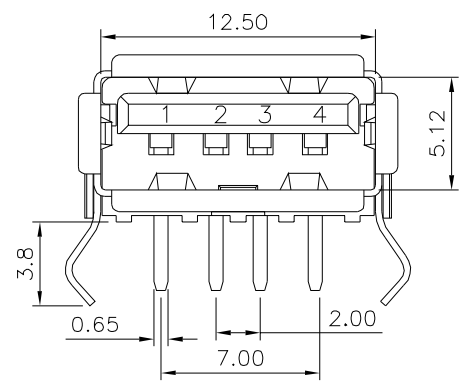
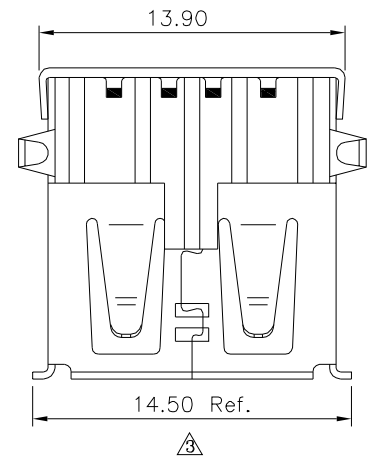
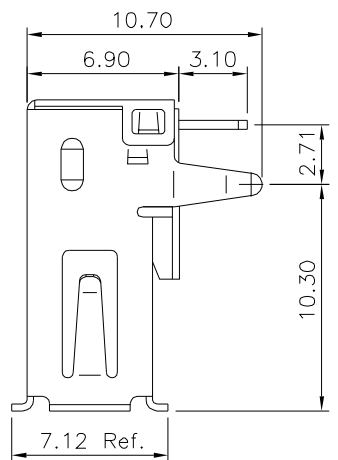
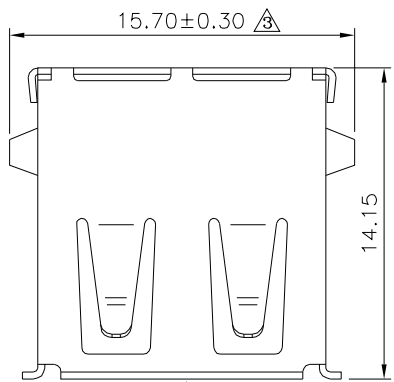
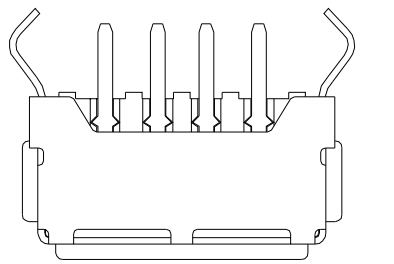


**△△ SPECIFICATION**  
 Current Rating:1.5A  
 Voltage-Max.:30V  
 Withstanding Voltage:500V AC/Minute  
 Contact Resistance:30 Milliohms Max.  
 Insulation Resistance:1000 Megaohms Min.  
 △ Temperature Range:-55°C~+85°C  
 Durability:1500 Cycles Min.  
 Housing:PBT+30%G.F.(UL94V-0),Black  
 Contact:Brass  
 Gold Flash On Contact Area  
 Tin Plated On Solder Tails,Over Nickel  
 Shell:Brass,Nickel Plated Over All  
 RoHS Compliant



Recommended P.C.B. Layout

**4UCON** 元化興業股份有限公司  
 4UCON TECHNOLOGY INC.

DRAWING No.		APPROVED BY		UNLESS OTHERWISE SPECIFIED TOLERANCES ARE .X ±0.38 △ X.* ±3* .XX ±0.25 △ .X.* ±2* .XXX ±0.13 △ .XX.* ±1*				
20105		MEI			△ B3	Modify Data	HZF	03/26/2020
		HZF			△ B2	Modify Data	HZF	08/19/2015
		CYP		△ B1	Modify Data	HZF	08/13/2015	
SCALE		NONE	REV.	B3	△ B0	NEW RELEASE	HZF	04/27/2014
					NO.REV.	REVISIONS	CHK	DATE

