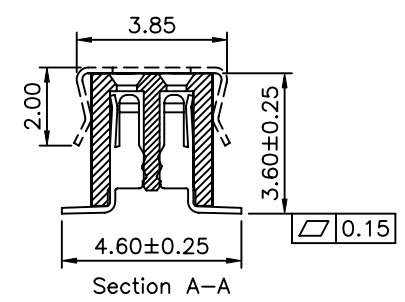
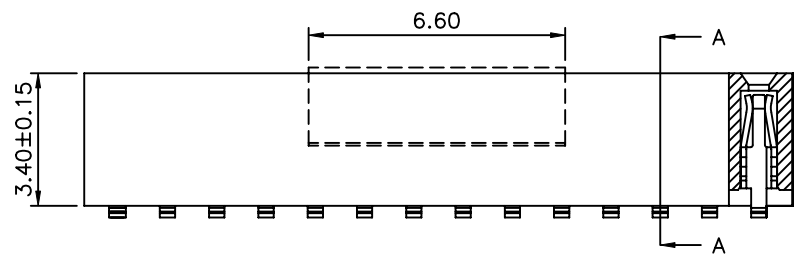
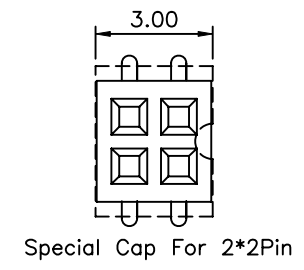
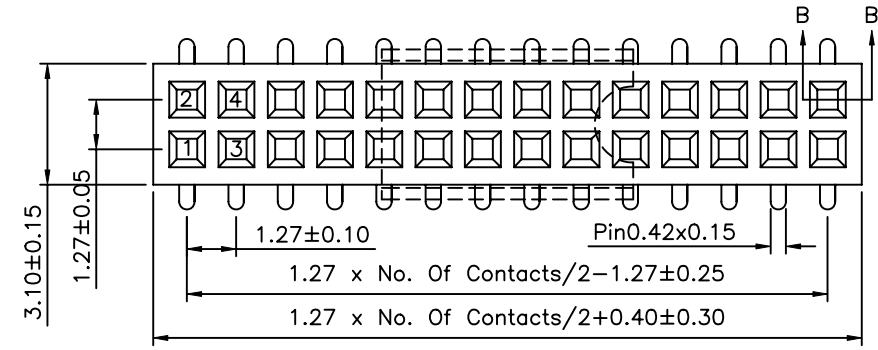


Recommended P.C.B Layout(Top Side)
(PCB Board Tolerance±0.05)

SPECIFICATION
 Current Rating:1.0Amp
 Withstand Voltage:500V AC/DC
 Contact Resistance:20 Milliohms Max.
 Insulation Resistance:1000 Megaohms Min.
 Operation Temperature:-40°C To +105°C
 Contact:Phosphor Bronze,Gold Plated Over Nickel
 Insulator:PA6T+30%G.F UL94V-0,Black
 RoHS Compliant



4UCON 元化興業股份有限公司
 4UCON TECHNOLOGY INC.

DRAWING No.		APPROVED BY		UNLESS OTHERWISE SPECIFIED TOLERANCES ARE .X ±0.40 .XX ±0.25 .XXX ±0.15 ANG ±3°					
20123		MEI							
		CHECKED BY							
		DRAWING BY							
SCALE	NONE	REV.	A0	UNIT	mm	△ A0	NEW RELEASE	HZF	06/25/2009
						NO.REV.	REVISIONS	CHK	DATE