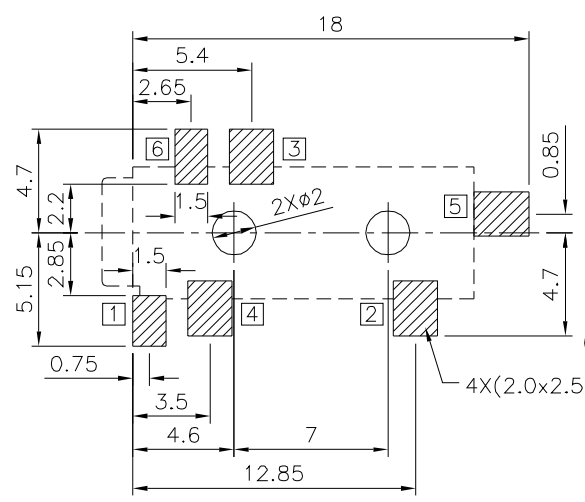
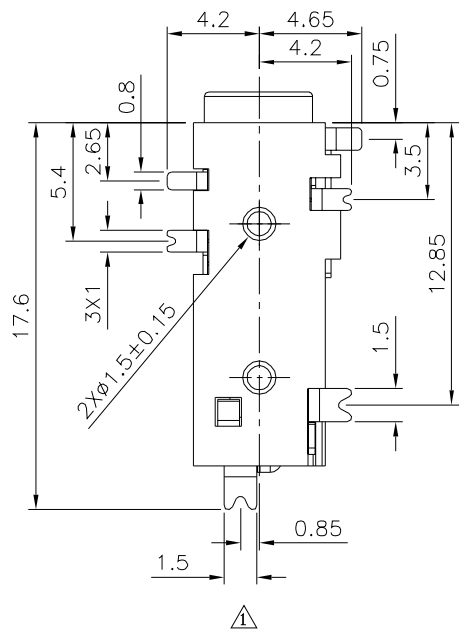
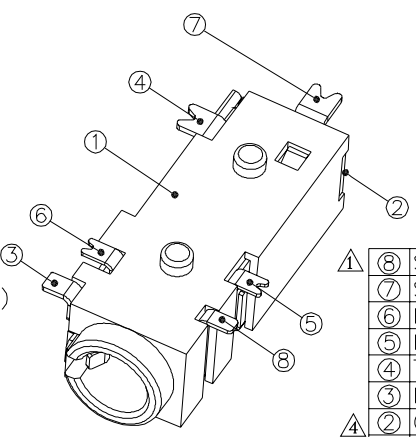


△△ SPECIFICATION
 Rating:DC 30V,0.5A
 Withstand Voltage:500V AC
 Contact Resistance:50 Milliohms Max.
 After Test:100 Milliohms Max.
 Insulation Resistance:100 Megaohms Min. (500V DC)
 After Test:50 Megaohms Min.
 Insertion And Extraction Force:3N~30N
 Life Test:5000 Cycles Min.
 Operation Temperature Range:-20°C~+70°C
 Presservation Temperature Range:-40°C~+85°C
 RoHS Compliant



△ Recommended P.C.B. Layout (Copper-Sided View)



| NO. | Description | Q'ty | Material | Remark |
|-----|----------------|------|-----------------|---------------|
| ⑧ | Shunt Terminal | 1 | Brass | Silver Plated |
| ⑦ | Shunt Terminal | 1 | Brass | Silver Plated |
| ⑥ | Ring Spring | 4 | Stainless Steel | Silver Plated |
| ⑤ | Ring Spring | 3 | Stainless Steel | Silver Plated |
| ④ | Tip Spring | 2 | Phosphor Bronze | Silver Plated |
| ③ | Earth Spring | 1 | Phosphor Bronze | Silver Plated |
| ② | Cover | 1 | PA9T | UL94V-0 |
| ① | Housing | 1 | PA9T | UL94V-0,Black |

| △△△ | P/N | 20164 | 20163 | 20162 | 20161 | 20154 | 20160 |
|-----------|-----|-------|-------|-------|-------|-------|-------|
| Schematic | | | | | | | |

4UCON 元化興業股份有限公司
 4UCON TECHNOLOGY INC.

| | | | | | | | | | |
|-------------|--|-------------|--|--|-------------|-------------|-------------|------------|------------|
| DRAWING No. | | APPROVED BY | | UNLESS OTHERWISE SPECIFIED TOLERANCES ARE △ X. ±0.3 .XX ±0.3 .XX ±0.3 ANG. ±2° | △ A4 | Modify Data | HZF | 12/25/2017 | |
| 20154 | | MEI | | | △ A3 | Modify Data | HZF | 07/01/2013 | |
| | | CHECKED BY | | | △ A2 | Modify Data | HZF | 07/21/2011 | |
| SCALE | | DRAWING BY | | △ A1 | Modify Data | HZF | 01/12/2010 | | |
| | | NONE | | CYP | | △ A0 | NEW RELEASE | SHIN | 01/10/2007 |
| REV. | | A4 | | UNIT | mm | NO.REV. | REVISIONS | CHK | DATE |