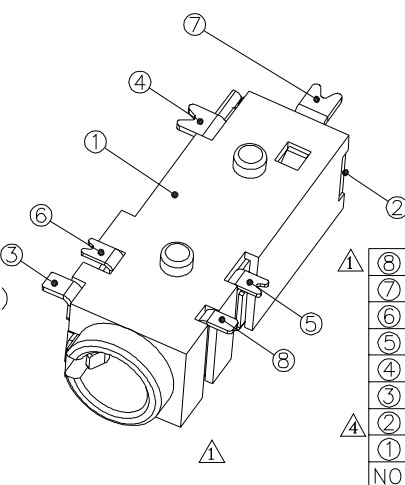
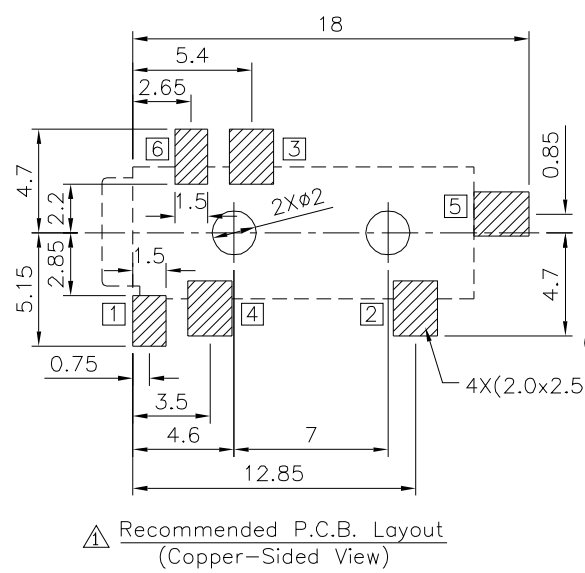
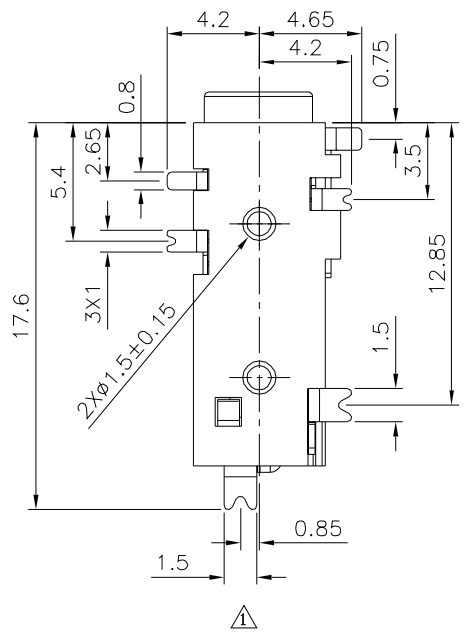


**SPECIFICATION**  
 Rating: DC 30V, 0.5A  
 Withstand Voltage: 500V AC  
 Contact Resistance: 50 Milliohms Max.  
 After Test: 100 Milliohms Max.  
 Insulation Resistance: 100 Megaohms Min. (500V DC)  
 After Test: 50 Megaohms Min.  
 Insertion And Extraction Force: 3N~30N  
 Life Test: 5000 Cycles Min.  
 Operation Temperature Range: -20°C~+70°C  
 Preservation Temperature Range: -40°C~+85°C  
 RoHS Compliant



⑧	Shunt Terminal	6	1	Brass	Silver Plated
⑦	Shunt Terminal	5	1	Brass	Silver Plated
⑥	Ring Spring	4	1	Stainless Steel	Silver Plated
⑤	Ring Spring	3	1	Stainless Steel	Silver Plated
④	Tip Spring	2	1	Phosphor Bronze	Silver Plated
③	Earth Spring	1	1	Phosphor Bronze	Silver Plated
②	Cover		1	PA9T	UL94V-0
①	Housing		1	PA9T	UL94V-0, Black
NO.	Description	Q'ty	Material	Remark	

P/N	20164	20163	20162	20161	20154	20160
Schematic						

**4UCON** 元化興業股份有限公司  
 4UCON TECHNOLOGY INC.

DRAWING No.		APPROVED BY		UNLESS OTHERWISE SPECIFIED TOLERANCES ARE $\Delta$ X. $\pm 0.3$ .XX $\pm 0.3$ .XX $\pm 0.3$ ANG. $\pm 2^\circ$	$\Delta$ A4	Modify Data	HZF	12/25/2017	
20161		MEI			$\Delta$ A3	Modify Data	HZF	07/01/2013	
		CHECKED BY			$\Delta$ A2	Modify Data	HZF	07/21/2011	
SCALE		NONE		DRAWING BY		$\Delta$ A1	Modify Data	HZF	01/12/2010
REV.		A4		CYP		$\Delta$ A0	NEW RELEASE	SHIN	01/10/2007
UNIT		mm		NO. REV.		REVISIONS		CHK	DATE