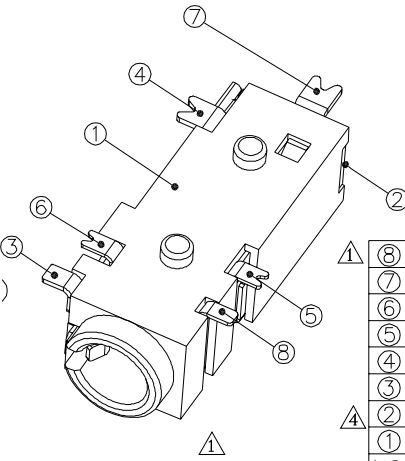
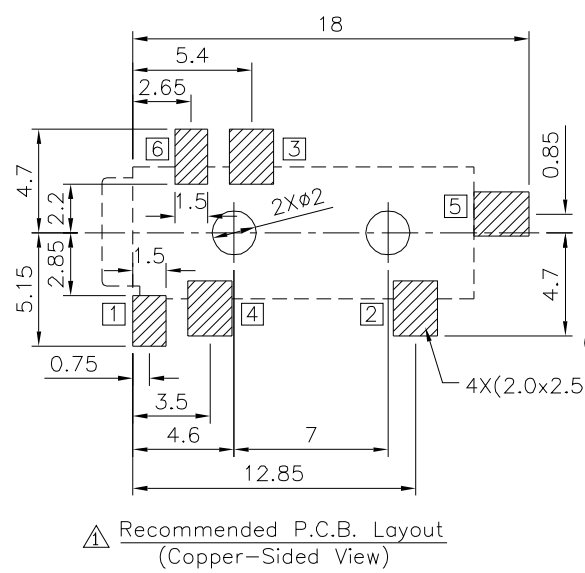
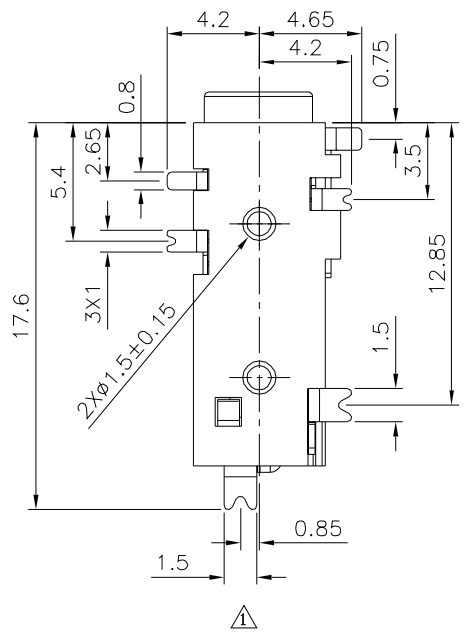
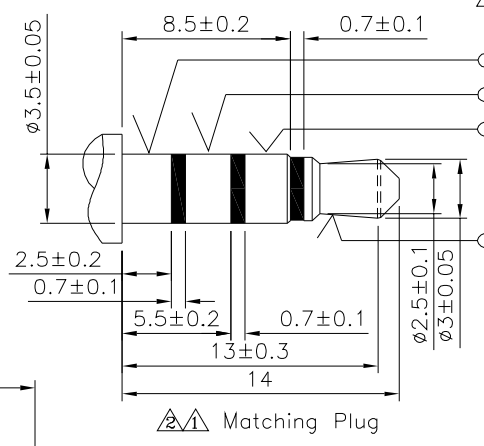
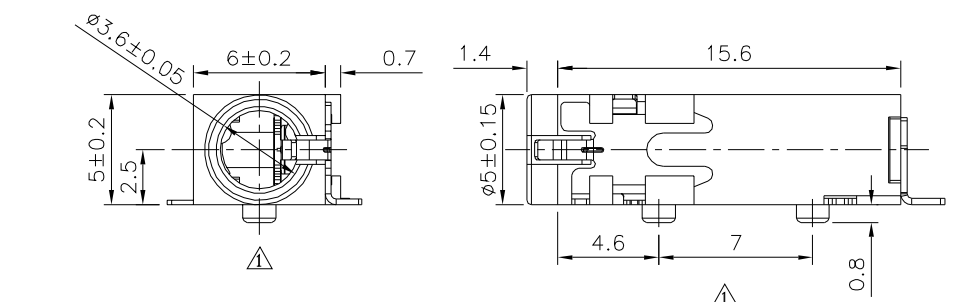


**△△ SPECIFICATION**  
 Rating:DC 30V,0.5A  
 Withstand Voltage:500V AC  
 Contact Resistance:50 Milliohms Max.  
 After Test:100 Milliohms Max.  
 Insulation Resistance:100 Megaohms Min. (500V DC)  
 After Test:50 Megaohms Min.  
 Insertion And Extraction Force:3N~30N  
 Life Test:5000 Cycles Min.  
 Operation Temperature Range:-20°C~+70°C  
 Presservation Temperature Range:-40°C~+85°C  
 RoHS Compliant



⑧	Shunt Terminal	6	1	Brass	Silver Plated
⑦	Shunt Terminal	5	1	Brass	Silver Plated
⑥	Ring Spring	4	1	Stainless Steel	Silver Plated
⑤	Ring Spring	3	1	Stainless Steel	Silver Plated
④	Tip Spring	2	1	Phosphor Bronze	Silver Plated
③	Earth Spring	1	1	Phosphor Bronze	Silver Plated
②	Cover		1	PA9T	UL94V-0
①	Housing		1	PA9T	UL94V-0,Black
NO.	Description	Q'ty	Material	Remark	

△△△	P/N	20164	20163	20162	20161	20154	20160
Schematic							

**4UCON** 元化興業股份有限公司  
 4UCON TECHNOLOGY INC.

DRAWING No.		APPROVED BY		UNLESS OTHERWISE SPECIFIED TOLERANCES ARE $\Delta$ X. $\pm$ 0.3 .XX $\pm$ 0.3 ANG. $\pm$ 2°
20163		MEI		
SCALE		CHECKED BY		
NONE		HZF		UNIT mm
REV.		DRAWING BY		
A4		CYP		NO. REV.

△ A4	Modify Data	HZF	12/25/2017
△ A3	Modify Data	HZF	07/01/2013
△ A2	Modify Data	HZF	07/21/2011
△ A1	Modify Data	HZF	01/12/2010
△ A0	NEW RELEASE	SHIN	01/10/2007
NO. REV.	REVISIONS	CHK	DATE