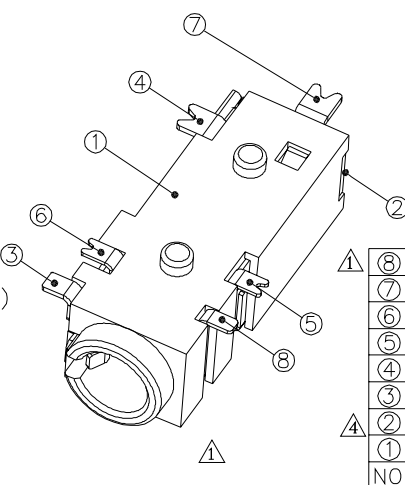
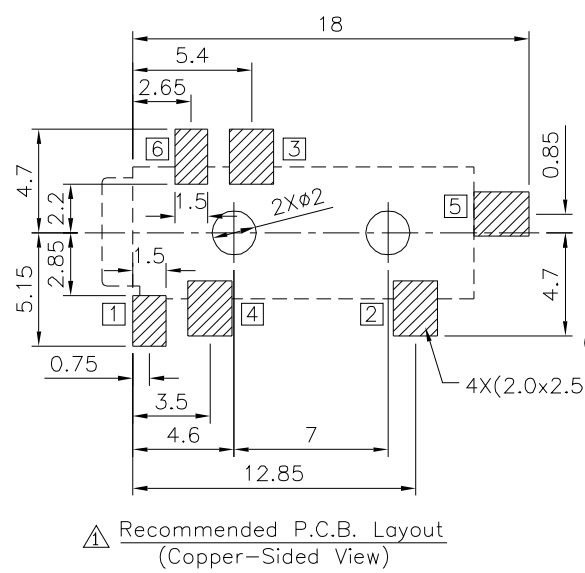
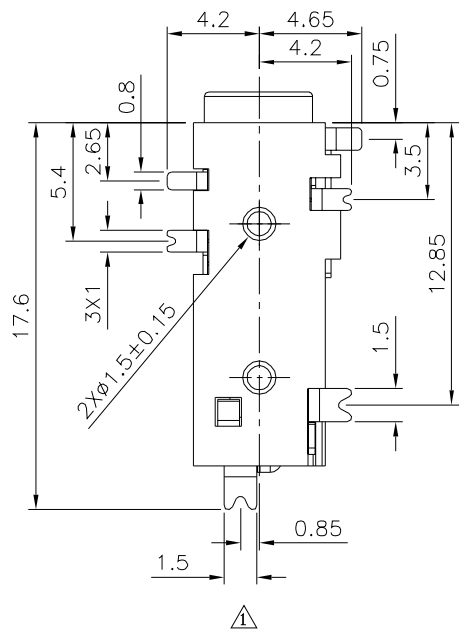


△△ SPECIFICATION
 Rating: DC 30V, 0.5A
 Withstand Voltage: 500V AC
 Contact Resistance: 50 Milliohms Max.
 After Test: 100 Milliohms Max.
 Insulation Resistance: 100 Megaohms Min. (500V DC)
 After Test: 50 Megaohms Min.
 Insertion And Extraction Force: 3N~30N
 Life Test: 5000 Cycles Min.
 Operation Temperature Range: -20°C~+70°C
 Preservation Temperature Range: -40°C~+85°C
 RoHS Compliant



△△ Matching Plug

△ Recommended P.C.B. Layout (Copper-Sided View)

⑧	Shunt Terminal	6	1	Brass	Silver Plated
⑦	Shunt Terminal	5	1	Brass	Silver Plated
⑥	Ring Spring	4	1	Stainless Steel	Silver Plated
⑤	Ring Spring	3	1	Stainless Steel	Silver Plated
④	Tip Spring	2	1	Phosphor Bronze	Silver Plated
③	Earth Spring	1	1	Phosphor Bronze	Silver Plated
②	Cover		1	PA9T	UL94V-0
①	Housing		1	PA9T	UL94V-0, Black
NO.	Description	Q'ty	Material	Remark	

△△△	P/N	20164	20163	20162	20161	20154	20160
Schematic							

4UCON 元化興業股份有限公司
 4UCON TECHNOLOGY INC.

DRAWING No.		APPROVED BY		UNLESS OTHERWISE SPECIFIED TOLERANCES ARE △ X. ±0.3 .XX ±0.3 .XX ±0.3 ANG. ±2°
20164		MEI		
		HZF		
SCALE		REV.		UNIT
NONE		A4		mm

△ A4	Modify Data	HZF	12/25/2017
△ A3	Modify Data	HZF	07/01/2013
△ A2	Modify Data	HZF	07/21/2011
△ A1	Modify Data	HZF	01/12/2010
△ A0	NEW RELEASE	SHIN	01/10/2007
NO. REV.	REVISIONS	CHK	DATE