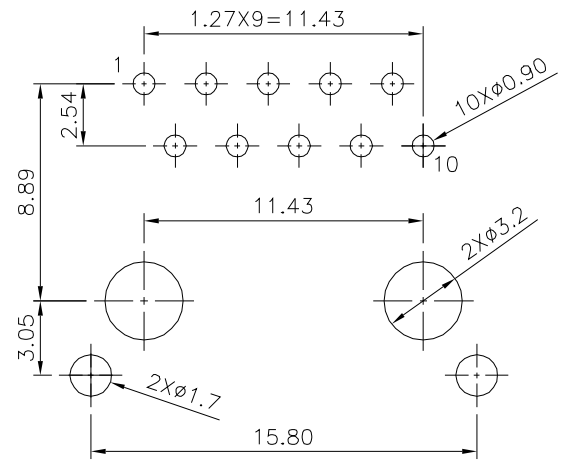
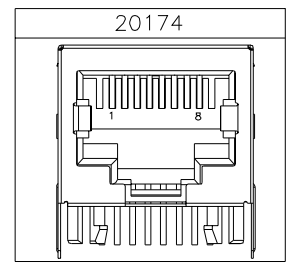
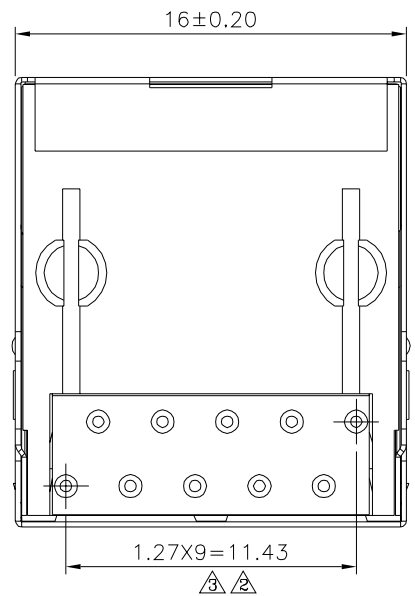


△△ SPECIFICATION
 Voltage Rating:150V AC RMS
 Current Rating:1.5 Amp @ 25°C
 Dielectric Strength:Contact To Contact:1000V DC Or AC Peak
 One Contact To All Other Contact Connected Together
 1500V DC Or AC Peak,All Contacts Connected Together
 To Shield (Housing /Mounting Plate)@0.5mA
 50Hz Or 60Hz 1 Minute
 Contact Resistance:20 Milliohms Max.
 Insulation Resistance:1000 Megaohms Min. @ 500V DC
 Storage Temperature:-40°C~+85°C Relative Humidity<80%
 Operation Temperature:-40°C~+85°C
 Housing & Insert:PBT,Black
 Contact:Phosphor Bronze ϕ 0.46mm
 Gold Flash Over All,Over Nickel
 Shield:Brass,Nickel Plated
 Durability Life:750 Cycles
 Mating/Unmating Force:30N Max.
 Retention Strength:50N For 60s±5s
 Mates With Modular Plug Conforming To
 IEC-60603 & TIA-1096
 RoHS Compliant



△△ Recommended P.C.B. Layout(Component Side)
 Thickness:1.6mm(Tolerances±0.05)



4UCON 元化興業股份有限公司
 4UCON TECHNOLOGY INC.

DRAWING No. △△		APPROVED BY		UNLESS OTHERWISE SPECIFIED TOLERANCES ARE 0~15 ±0.15 △ 15~30 ±0.20 30~ ±0.25 ANG. ±1°
20174		MEI		
		CHECKED BY HZF		
		DRAWING BY SONG		UNIT mm
SCALE	NONE	REV.	A3	

△ A3	Modify Data	HZF	08/17/2020
△ A2	Modify Data	HZF	12/23/2013
△ A1	Modify Data	SHIN	09/11/2006
△ A0	NEW RELEASE	SHIN	03/01/2006
NO. REV.	REVISIONS	CHK	DATE