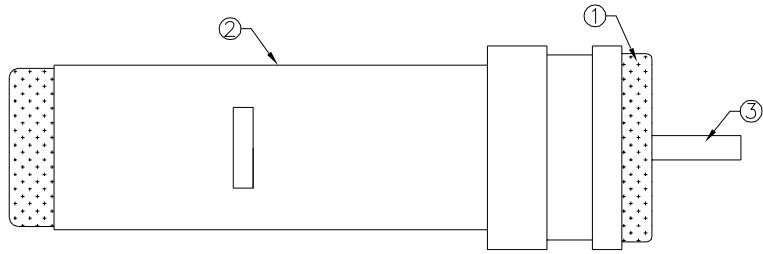
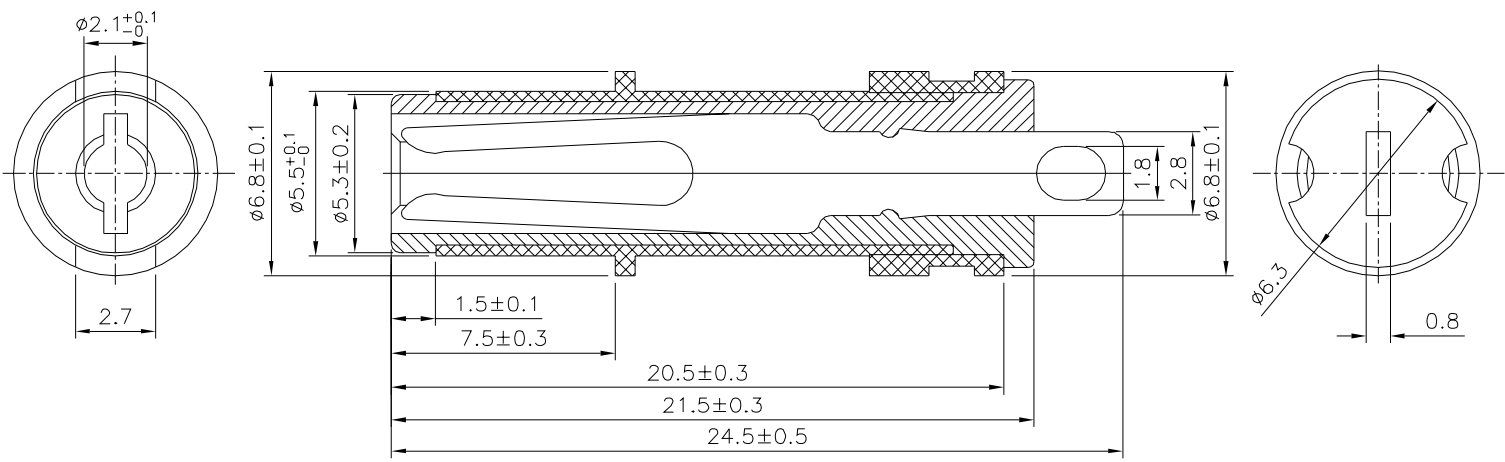


△ SPECIFICATION

Rated Voltage:20V DC
 Rated Current:7A
 Dielectric Strength:AC 500V At 1 Minute.
 Insulator Resistance:100 Megaohms Min. At 500V DC
 Contact Resistance:30 Milliohms Or less Between Plug And Jack
 Insertion Force:0.3~3kgf When Mating With A Standard Jack
 Withdrawal Force: 0.3~3kgf When Mating With A Standard Jack
 The Plug Shall Be Operated At A Temperature Range Of -25°C To 70°C,And A Related Humidity Of 85% Or Less.
 RoHS Compliant



③	Phosphor Bronze	Nickel Plated
②	Brass	Nickel Plated
①	PBT	Black
No.	Material	Remark

4UCON 元化興業股份有限公司
 4UCON TECHNOLOGY INC.

DRAWING No.		APPROVED BY		UNLESS OTHERWISE SPECIFIED TOLERANCES ARE 0~1.0 ±0.1 1.0~6.0 ±0.2 6.0~18.0 ±0.3 18.0~40.0 ±0.4 40.0~ ±0.5
20252		MEI		
		CHECKED BY		
		HZF		
		DRAWING BY		UNIT mm
		CYP		
SCALE	NONE	REV.	A1	

NO.	REV.	REVISIONS	CHK	DATE
△ A1		Modify Data	HZF	06/16/2018
△ A0		NEW RELEASE	HZF	08/28/2011