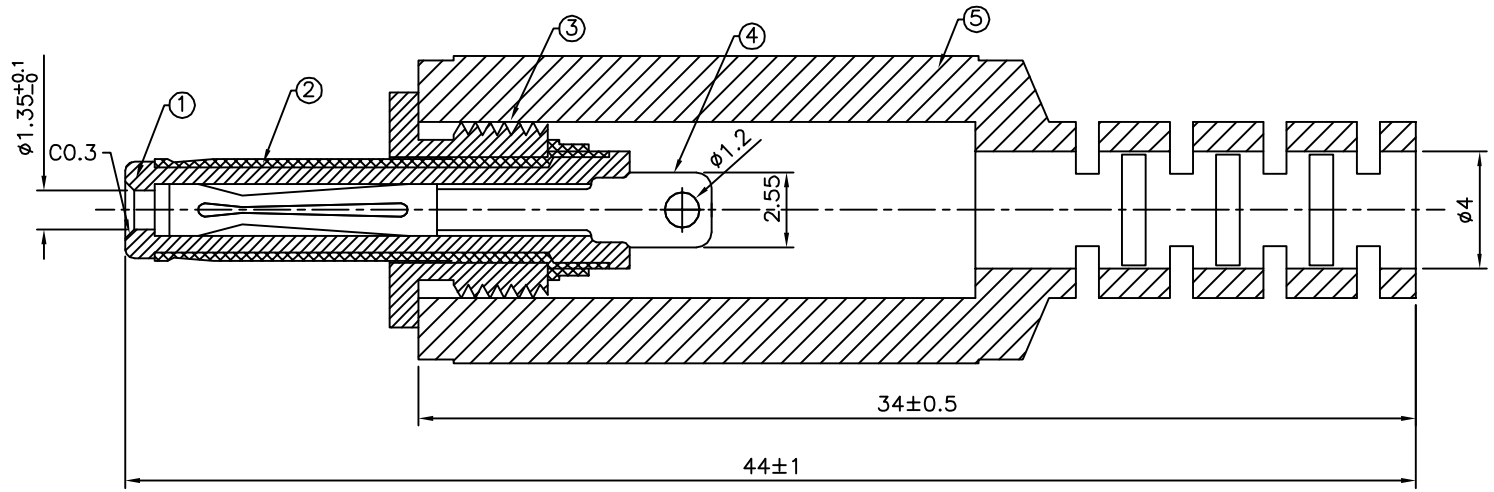
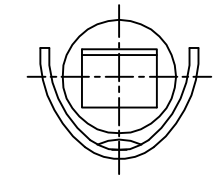
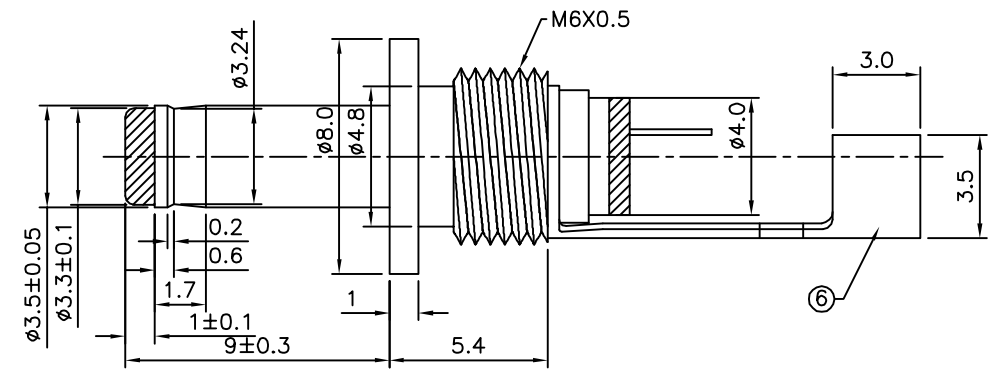


**SPECIFICATION**

- ① POM, Black
  - ② Brass, Nickel Plated
  - ③ Brass, Nickel Plated
  - ④ Phosphor Bronze, Nickel Plated
  - ⑤ PVC, Black
  - ⑥ Brass, Nickel Plated
- RoHS Compliant



**4UCON** 元化興業股份有限公司  
4UCON TECHNOLOGY INC.

DRAWING No.		APPROVED BY		UNLESS OTHERWISE SPECIFIED TOLERANCES ARE 0 > 1.0 ±0.1 1.0 > 6.0 ±0.2 6.0 > 12.0 ±0.3 12.0 > 25.0 ±0.4 25.0 > ±0.5
20289		MEI		
		CHECKED BY		
		HZF		
		DRAWING BY		
		WSS		
SCALE	NONE	REV.	A0	UNIT
				mm

NO.	REV.	REVISIONS	CHK	DATE
△ A0		NEW RELEASE	HZF	06/05/2011