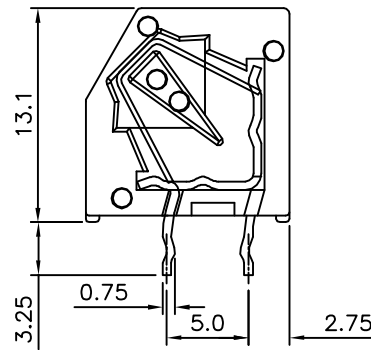
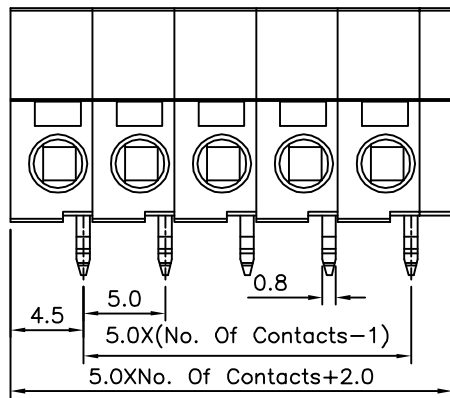
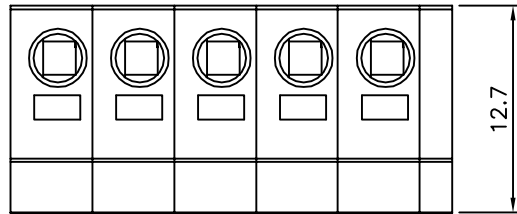


Recommended P.C.B. Layout



**SPECIFICATION**

Current Rating:10 Amp/Way Max.  
 Voltage Rating:300V AC  
 Withstand Voltage:2500V AC,Test Time=60s/1 PCS  
 Contact Resistance:20 Milliohms Max.  
 Insulation Resistance:5000 Megohms/1000V  
 Operating Temperature:-40°C~+105°C  
 Soldering Reliability:Test Temperature=250°C±10°C  
 5 Seconds Max.  
 Wire Range:14~22AWG  
 Insulator Body:Polyamide+G.F.(UL94V-0),Grey  
 Solder Pin:Copper Alloy,Tin Plated  
 Spring Clamp:Stainless Steel  
 RoHS Compliant

**4UCON** 元化興業股份有限公司  
 4UCON TECHNOLOGY INC.

DRAWING No. 20338

APPROVED BY EMILY  
 CHECKED BY HZF  
 DRAWING BY GAO

UNLESS OTHERWISE SPECIFIED TOLERANCES ARE  
 X. ±0.50  
 .X ±0.30  
 .XX ±0.20  
 x.° ±1°

SCALE NONE REV. A0

NO.	REV.	REVISIONS	CHK	DATE
△ A0		NEW RELEASE	HZF	12/19/2011