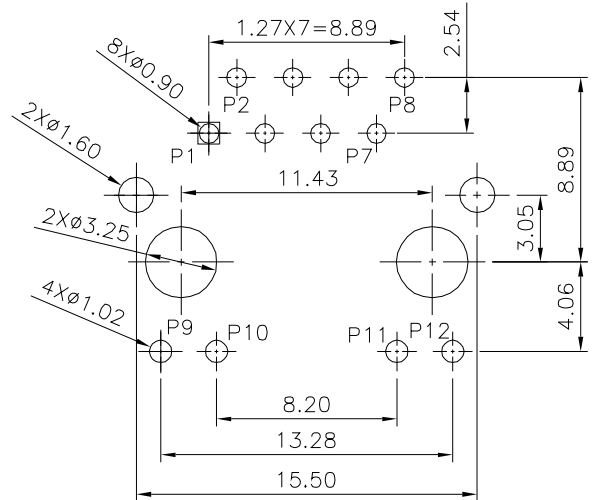
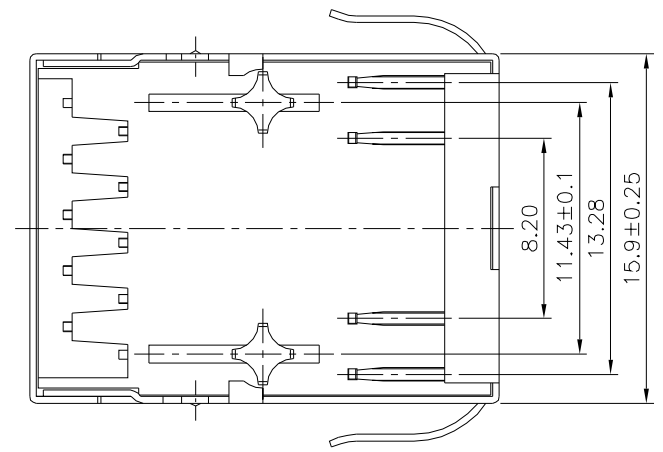
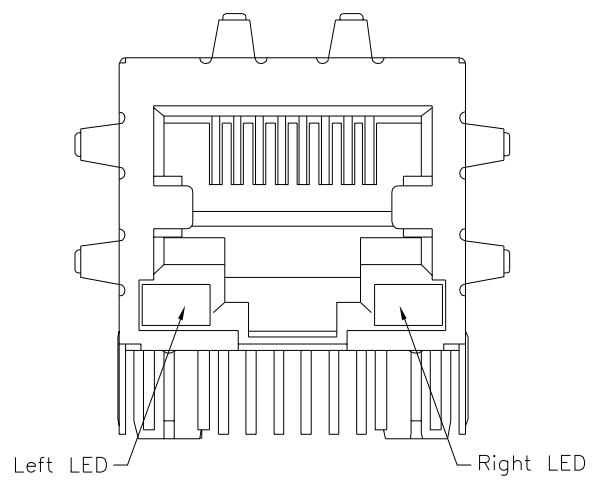
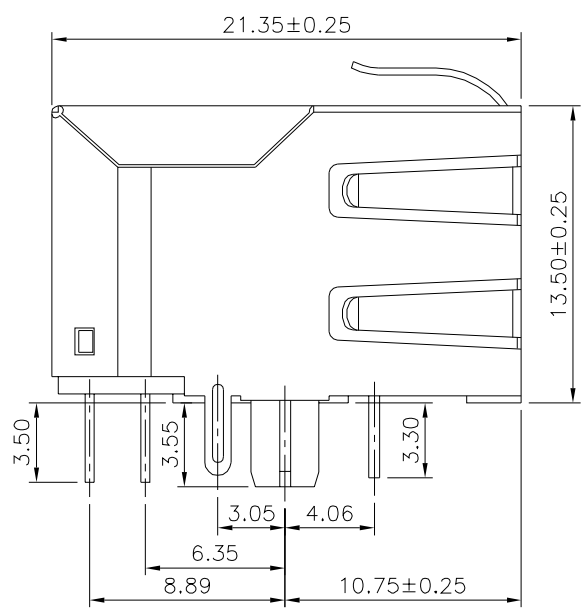


△ SPECIFICATION

Housing:PA66(UL94V-0),Black
 Inserter:PBT(UL94V-0),Black
 Contact:Phosphor Bronze
 Gold Plated 06u" On Contact Area,Tin Plated
 On Solder Tails,Over Nickel
 Shield:Brass,Nickel Plated
 Operating Temperature:0°C~+70°C
 RJ45 Cavities Conform To FCC Rules
 And Regulation Part 68.
 RoHS Compliant



PCB Recommended Hole Layout Seen From Component Side All Centerline Dimensions Are Basic

LED Color					
Code	Forward	Reverse	Code	Forward	Reverse
A	Green	Red	K	Black	---
B	Green	XX Ohm	L	Lime	---
C	Green	Yellow(Amber)	M	Orange	Green
D	Yellow	Red	N	Amber	---
E	Yellow	Green	O	Orange	---
F	Red	Green	P	Yellow	XX Ohm
G	Green	---	Q	Amber	Green
H	Red	Yellow	R	Red	---
I	Beige	---	Y	Yellow	---
J	Green	Orange			

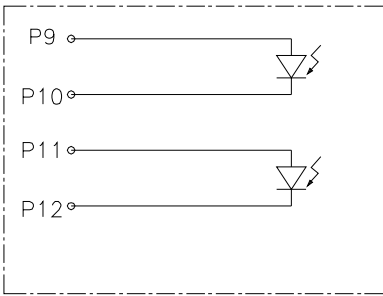
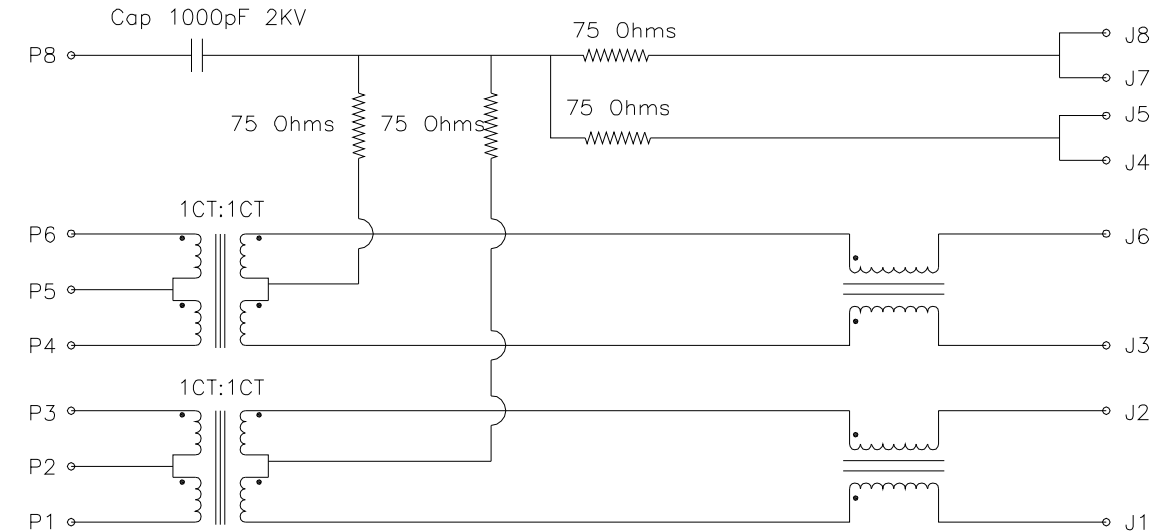
4UCON 元化興業股份有限公司
 4UCON TECHNOLOGY INC.

DRAWING No. 20351		APPROVED BY MEI		UNLESS OTHERWISE SPECIFIED TOLERANCES ARE .X ±0.25 .XX ±0.25 ANG.
		CHECKED BY HZF		
		DRAWING BY CYP		
SCALE	NONE	REV.	B3	UNIT mm

NO.	REV.	REVISIONS	CHK	DATE
△ B3		Modify Data	HZF	12/12/2020
△ B2		Modify Data	HZF	12/10/2019
△ B1		Modify Data	HZF	04/06/2016
△ B0		NEW RELEASE	HZF	09/23/2013

ELECTRICAL SPECIFICATION @25°C

- 1.0 Turn Ratio:(P1~P3):(J1~J2):1:1±3%
(P4~P6):(J3~J6):1:1±3%
 - 2.0 Inductance:(P1~P3)&(P4~P6):350uH Min. @ 0.1V 100 KHz
8mA DC Bias
 - 3.0 Leakage Inductance:P1~P3(With J1 And J2 Short):0.35uH Max. @1 MHz
P4~P6(With J3 And J6 Short):0.35uH Max. @1 MHz
 - 4.0 Interwinding Capacitance:(P1~P3):(J1~J2):35pF Max. @ 1 MHz
(P4~P6):(J3~J6):35pF Max. @ 1 MHz
 - 5.0 DC Resistance:(J1~J2):(J3~J6):1.2 Ohms Max.
 - 6.0 Return Loss:1 MHz~30 MHz:-18dB Min.
30 MHz~60 MHz:-(18-20log(f/30))dB Min.(Where F Is In MHz)
60 MHz~80 MHz:-12dB Min.
 - 7.0 Dielectric Withstand:(P1~P3):(J1~J2):1500V AC Or 2250V DC
(P4~P6):(P3~P6):1500V AC Or 2250V DC
 - 8.0 Insertion Loss:1 MHz~100 MHz:-1.2dB Max.
 - 9.0 Cross Talk:1 MHz~100 MHz:-30dB Min.
 - 10.0 Common To Common Mode Attenuation:1 MHz~100 MHz:-30dB Min.
- RoHS Compliant



LED Color Option

Left LED Single Color Right LED Single Color	Left LED Single Color Right LED Dual Color	Left LED Dual Color Right LED Single Color	Left LED Dual Color Right LED Dual Color

*F: Forward ; R: Reverse

DRAWING No.		APPROVED BY MEI		UNLESS OTHERWISE SPECIFIED TOLERANCES ARE							
20351		CHECKED BY HZF		.X ±0.38				B3	Modify Data	HZF	12/12/2020
		DRAWING BY CYP		.XX ±0.25				B2	Modify Data	HZF	12/10/2019
				ANG.				B1	Modify Data	HZF	04/06/2016
SCALE NONE		REV. B3		UNIT mm				B0	NEW RELEASE	HZF	09/23/2013
						NO. REV.		REVISIONS		CHK	DATE