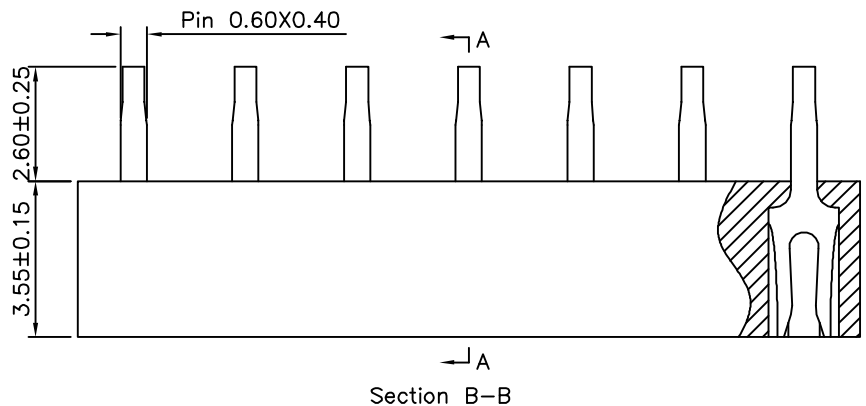
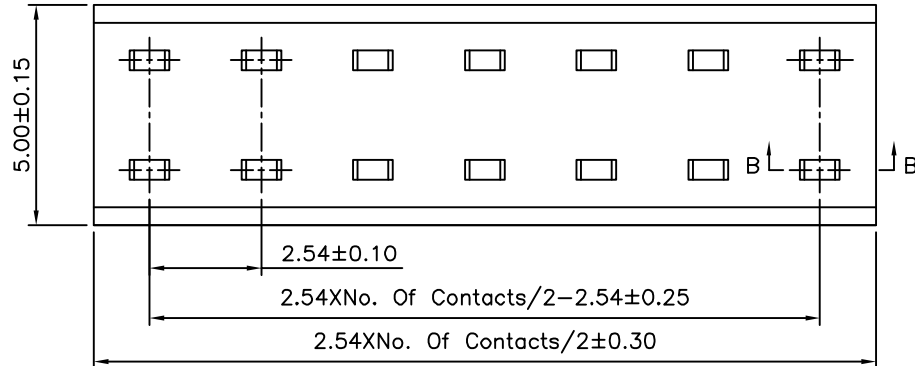
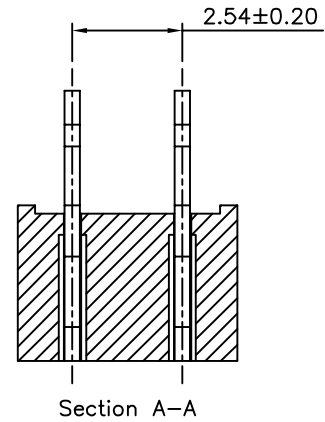


Recommended P.C.B. Layout (Top Side)  
(PCB Board Tolerance ±0.05)

**SPECIFICATION**  
 Current Rating: 3.0 Amp  
 Withstanding Voltage: 500V AC/DC  
 Insulation Resistance: 1000 Megaohms Min.  
 Contact Resistance: 20 Milliohms Max.  
 Operation Temperature: -40°C ~ +105°C  
 Insulator: PA6T+30%G.F. (UL94V-0), Black  
 Contact: Phosphor Bronze, Gold Plated Over Nickel  
 RoHS Compliant



Section B-B



Section A-A

**4UCON** 元化興業股份有限公司  
 4UCON TECHNOLOGY INC.

DRAWING No.		APPROVED BY		UNLESS OTHERWISE SPECIFIED TOLERANCES ARE .X ±0.40 .XX ±0.25 .XXX ±0.15 ANG. ±3°
20373		EMILY		
		CHECKED BY		
		HZF		
		DRAWING BY		UNIT mm
		WSS		
SCALE	NONE	REV.	A1	

NO.	REV.	REVISIONS	CHK	DATE
△ A1		Add P/N Code	HZF	11/02/2011
△ A0		NEW RELEASE	HZF	01/30/2009