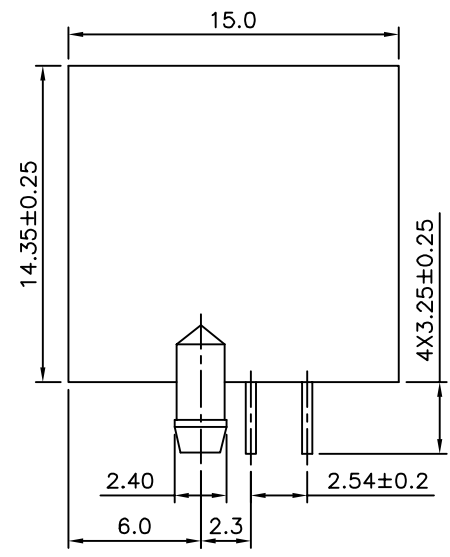
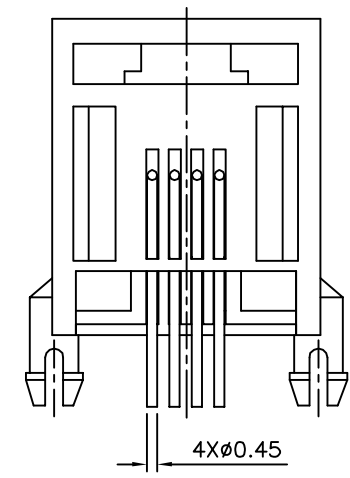


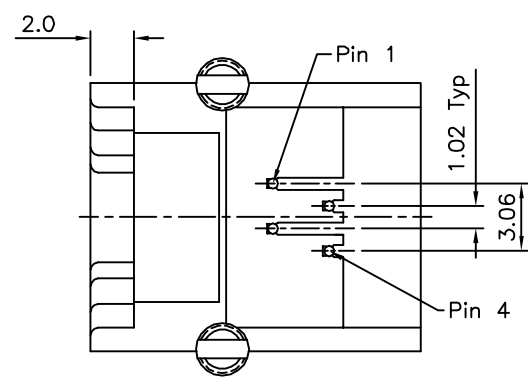
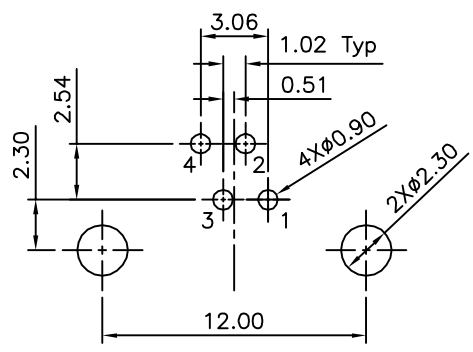
△



△



△



△

△ Recommended P.C.B. Layout
 Recommended P.C.B. Thickness: 1.6mm
 Tolerance: ± 0.05 (Top View)

△ SPECIFICATION
 Housing: PBT+G.F.(UL94V-0), Black
 Contacts: Phosphor Bronze
 Gold Plated 6u" Over All, Over Nickel
 Cavity Confirms To FCC Rules And Regulations
 Part 68, Subpart F.
 RoHS Compliant

4UCON 元化興業股份有限公司
 4UCON TECHNOLOGY INC.

DRAWING No.		APPROVED BY		UNLESS OTHERWISE SPECIFIED TOLERANCES ARE △ .X ± 0.25 .XX ± 0.13 .XXX ± 0.05
20391		MEI		
		CHECKED BY	HZF	
		DRAWING BY	SONG	
SCALE	NONE	REV.	A1	UNIT mm

NO.	REV.	REVISIONS	CHK	DATE
△ A1		Modify Data	HZF	02/20/2012
△ A0		NEW RELEASE	HZF	10/11/2008