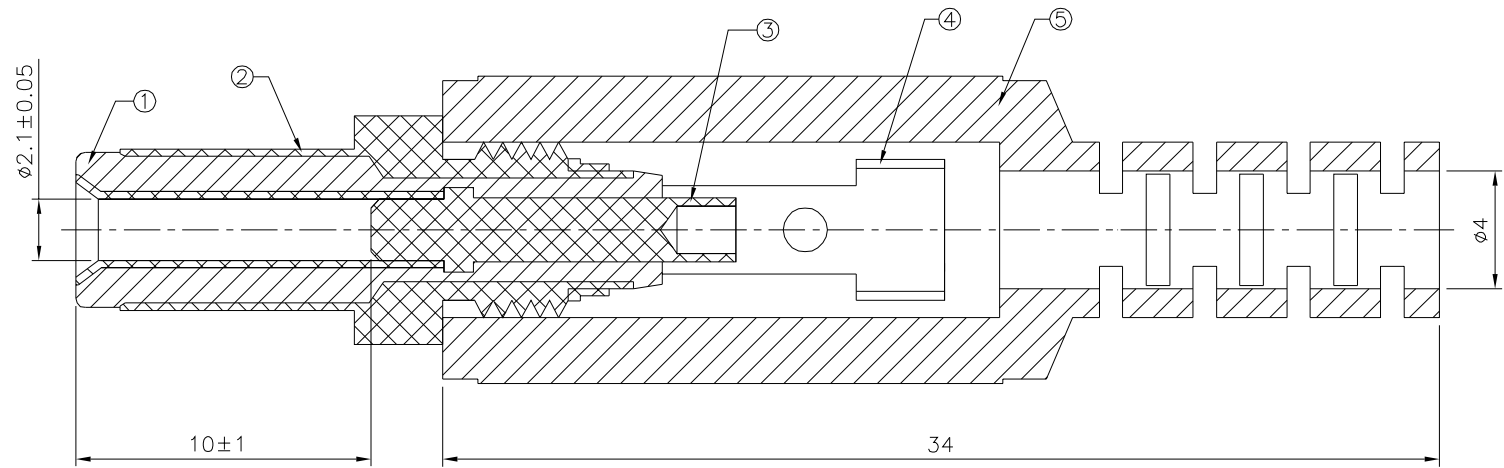
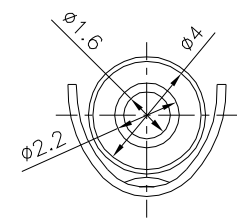
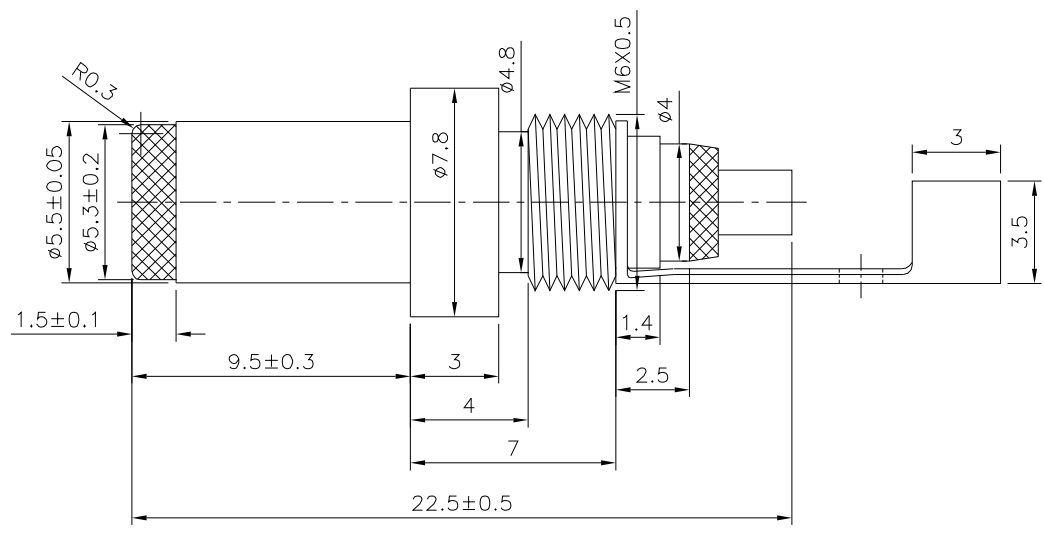


△ SPECIFICATION
 Current Rating:5.0 Amp
 Voltage Rating:24V DC
 Withstand Voltage:500V AC/Minute
 Contact Resistance:30 Milliohms Max.
 Or Less Between Plug And Jack
 Insulation Resistance:100 Megaohms Min. At 500V DC
 Operation Temperature:-25°C~+70°C

① Material:POM,Black
 ② Material:Brass,Nickel Plated
 ③ Material:Brass,Nickel Plated
 ④ Material:Brass,Nickel Plated
 ⑤ Material:TPR,Black
 RoHS Compliant



4UCON 元化興業股份有限公司
 4UCON TECHNOLOGY INC.

DRAWING No.		APPROVED BY		UNLESS OTHERWISE SPECIFIED TOLERANCES ARE $25.0 >$ ± 0.5 $12.0 > 25.0$ ± 0.4 $6.0 > 12.0$ ± 0.3 $1.0 > 6.0$ ± 0.2 $0 > 1.0$ ± 0.1				
20400		MEI						
		CHECKED BY						
		HZF						
		DRAWING BY						
		YBL						
SCALE	NONE	REV.	B1	UNIT	mm			

NO.	REV.	REVISIONS	CHK	DATE
△ B1		Modify Data	HZF	09/17/2013
△ B0		NEW RELEASE	HZF	07/21/2013