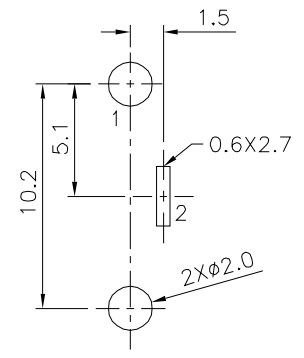
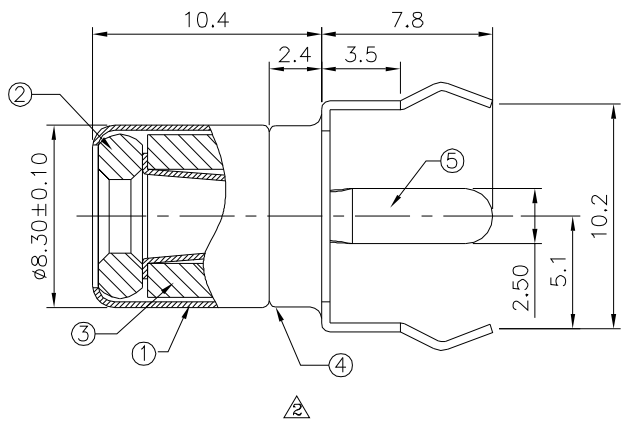
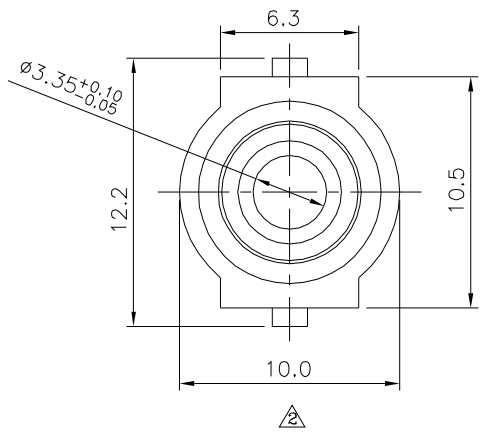
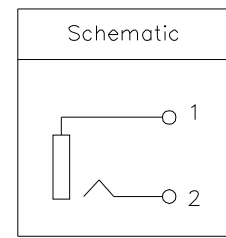


**△ SPECIFICATION**

Rated Voltage And Current:DC 12V,2A Max.  
 Withstand Voltage:500V AC At 60Hz For 1 Minute  
 Contact Resistance:30 Milliohms Max.  
 At AC 100mA Max. 1 KHz  
 Insulation Resistance:100 Megaohms Min.  
 At 500V DC  
 Durability:4000 Cycles  
 Insertion Force:0.3~3.0Kg  
 Extraction Force:0.3~3.0Kg  
 RoHS Compliant



Recommended P.C.B. Layout(Bottom View)



**△ 1**

No.	Description	Q'ty	Material	Finish
1	Barrel	1	Cold Rolled Steel	Nickel Plated
2	Ring	1	PBT	
3	Insulator	1	PBT	White
4	Bracket	1	Cold Rolled Steel	Nickel Plated
5	Terminal	1	Brass	Tin Plated

PS. Color option: Red, Black, Blue, Green, White, Yellow & Orange

**4UCON** 元化興業股份有限公司  
 4UCON TECHNOLOGY INC.

DRAWING No. **△ 3 △ 1**  
**20494**

APPROVED BY MEI  
 CHECKED BY HZF  
 DRAWING BY CYP

UNLESS OTHERWISE SPECIFIED TOLERANCES ARE  
 X. ±0.38  
 .X ±0.25  
 .XX ±0.13  
 .XXX ±0.05

SCALE NONE REV. A4

UNIT mm

NO.	REV.	REVISIONS	CHK	DATE
△ A4		Modify Data	HZF	12/27/2018
△ A3		Modify Data	HZF	07/26/2018
△ A2		Modify Data	HZF	10/24/2012
△ A1		Modify Data	HZF	07/13/2010
△ A0		NEW RELEASE		