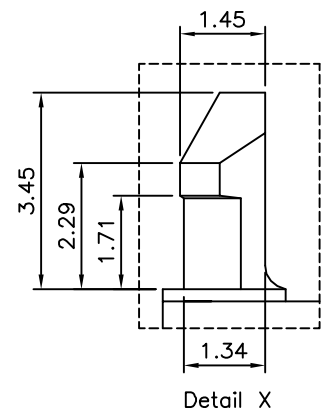
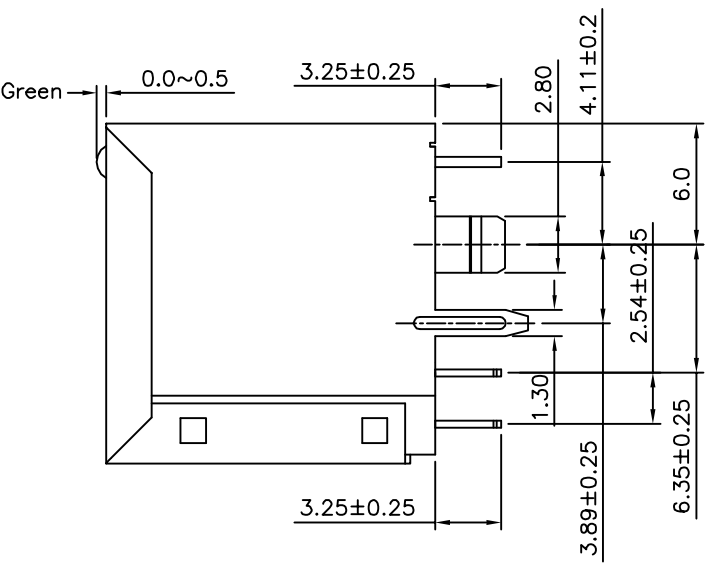
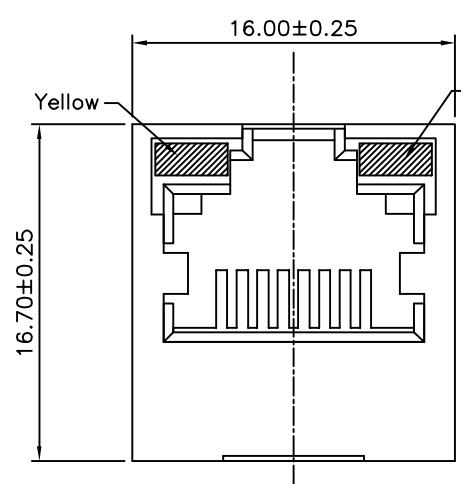
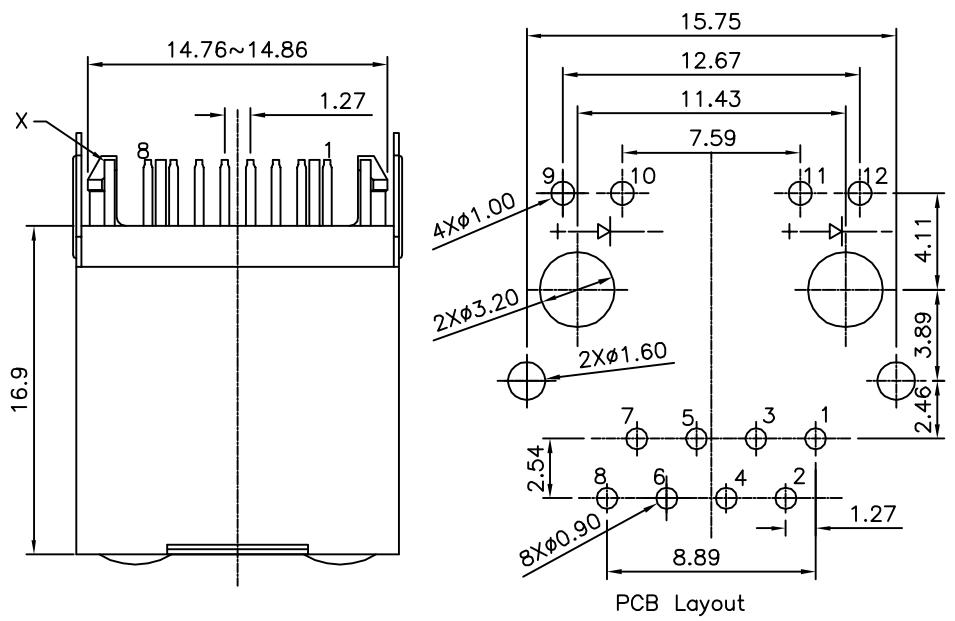


SPECIFICATION
 Housing:PBT+G.F.(UL94V-0),Black
 Contact:Phosphor Bronze
 Gold Plated 06u" On Contact Area,
 Gold Flash On Other Area,Over Nickel
 Shell:Copper Alloy,Nickel Plated
 Cavity Confirms To FCC Rules
 And Regulations Part 68. Subpart F.
 RoHS Compliant



4UCON 元化興業股份有限公司
 4UCON TECHNOLOGY INC.

DRAWING No.		APPROVED BY		UNLESS OTHERWISE SPECIFIED TOLERANCES ARE .X ±0.25 .XX ±0.13 .XXX ±0.05 ANG. ±0.5°
20509		EMILY		
		CHECKED BY		
		HZF		
		DRAWING BY		UNIT mm
		SAN		
SCALE	NONE	REV.	A1	

NO.	REV.	REVISIONS	CHK	DATE
△A1		Modify Data	HZF	03/27/2014
△A0		NEW RELEASE	HZF	09/05/2013

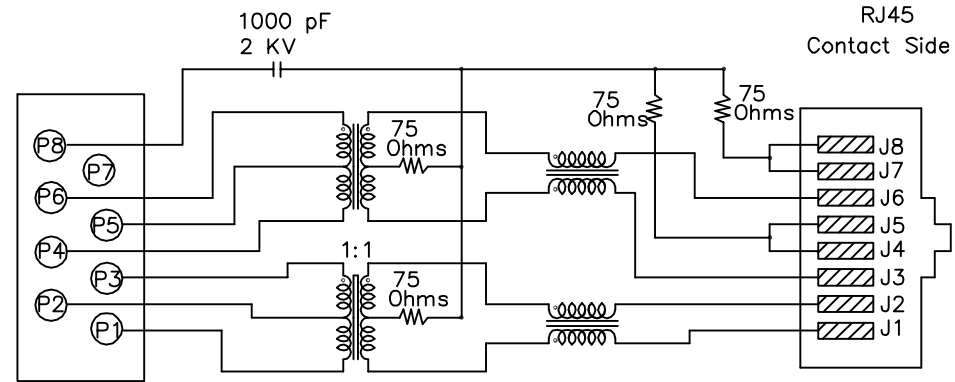


SPECIFICATION

- Test Notes:(25'±5'C)
- 1.0 TR:(100KHz,0.1V)
 Pins:(P6-P5-P4):(J6,J3)=1CT:1CT±3%
 Pins:(P3-P2-P1):(J2,J1)=1CT:1CT±3%
 - 2.0 Inductance:(@0.1V,100KHz,8mA DC Bias)
 Pins:(P6-P4),(P3-P1)=350uH Min.
 - 3.0 DCR:Pins:(J6-J3)=(J2-J1)=1.2 Ohms Max.
 - 4.0 Hipot:
 Pins(J1,J2)To(P1,P3)=1500V AC For One Minute
 Pins(J3,J6)To(P4,P6)=1500V AC For One Minute
 - 5.0 Leakage Inductance:
 P6-P4(With J6 And J3 Short)=0.3 Max. @1MHz
 P3-P1(With J2 And J1 Short)=0.3 Max. @1MHz
 - 6.0 Insertion Loss:-1.1dB Max. At 1~100MHz
 - 7.0 Return Loss:-18dB Min. At 1~30MHz
 -12dB Min. At 60~80MHz
 - 8.0 Cross Talk:-30dB Min. At 1~100MHz
 - 9.0 Common To Common Mode Attenuation:-35dB Min.
 At 30~100MHz
 - 10.0 Rise Time:RS=100 Ohms And RL=100 Ohms
 Output Voltage=1V Peak=30ns Max.
 Pulse Width=112nS=3.0nS Max.
 - 11.0 Interwinding Capacitance:
 (P6,P5,P4)To(J6,J3)=30pF Max. @1MHz
 (P3,P2,P1)To(J2,J1)=30pF Max. @1MHz
- RoHS Compliant

Connector Solder Side

RJ45
Contact Side



Connector Schematic

4UCON 元化興業股份有限公司
4UCON TECHNOLOGY INC.

DRAWING No.		APPROVED BY		UNLESS OTHERWISE SPECIFIED TOLERANCES ARE .X ±0.38 .XX ±0.25 ANG. ±0.5°
20509		EMILY		
		CHECKED BY HZF		
SCALE		DRAWING BY		UNIT mm
NONE		SAN		
REV.	A1	REVISIONS		NO.

NO.	REV.	REVISIONS	CHK	DATE
△ A1		Modify Data	HZF	03/27/2014
△ A0		NEW RELEASE	HZF	09/05/2013