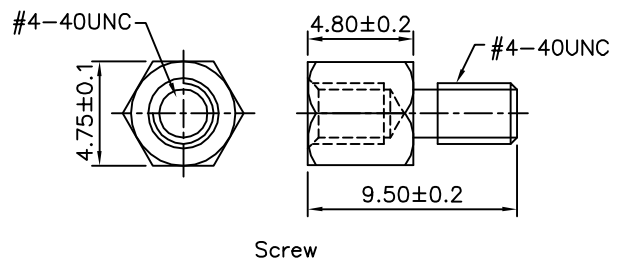
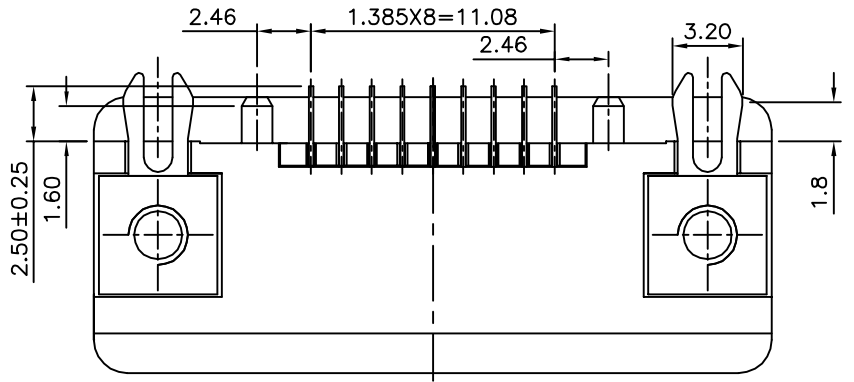
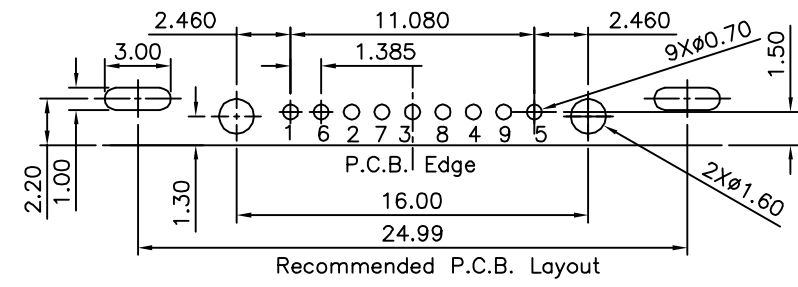
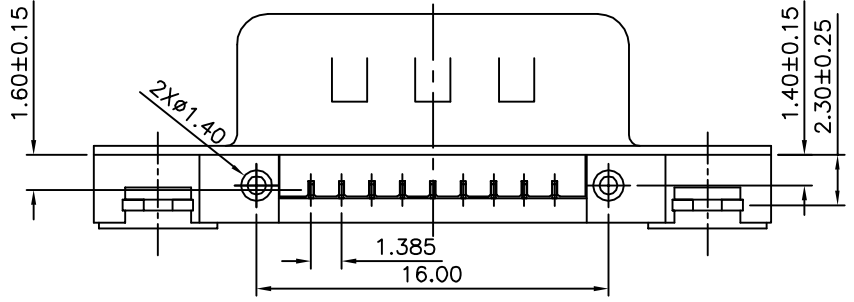


SPECIFICATION
 Current Rating:3 Ampere Per Contact
 Voltage:250V AC RMS Max.
 Dielectric Withstand Voltage:500V AC RMS
 Contact Resistance:25 Milliohms Max.
 Insulation Resistance:1000 Megaohms Min.
 Operation Temperature Range:-55°C~+85°C
 Total Mating Force:4.0 Kgf Max.
 Total Unmating Force:1.0 Kgf Min.
 Housing:PBT(UL94V-0),Black
 Contact:Brass,Gold Flash On Contact Area,
 Tin Plated On Solder Tails,Over Nickel
 Shell:SPCC,Nickel Plated
 Boardlock:Copper Alloy,Tin Plated
 Rivet:Copper Alloy,Nickel Plated
 Screw:Copper Alloy,Nickel Plated
 RoHS Compliant



4U CON 元化興業股份有限公司
 4U CON TECHNOLOGY INC.

DRAWING No.		APPROVED BY		UNLESS OTHERWISE SPECIFIED TOLERANCES ARE .XX ±0.25 .XXX ±0.13 ANG. ±2°
20554		EMILY		
		CHECKED BY HZF		
		DRAWING BY SONG		
SCALE	NONE	REV.	A0	UNIT mm

NO.	REV.	REVISIONS	CHK	DATE
△ A0		NEW RELEASE	HZF	03/02/2014