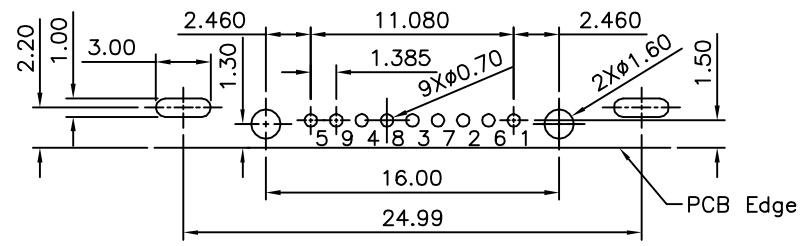
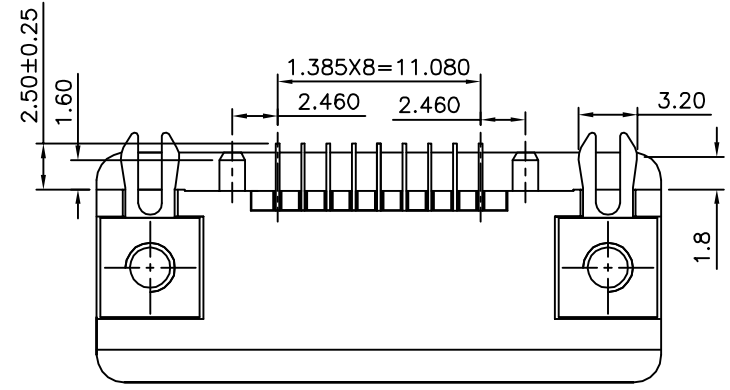
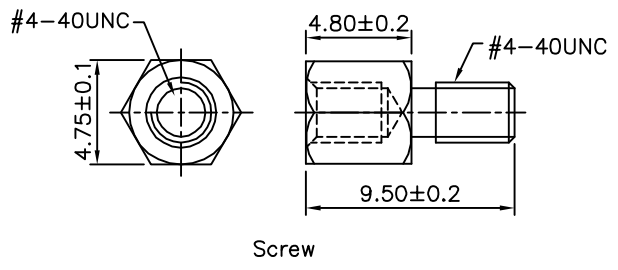
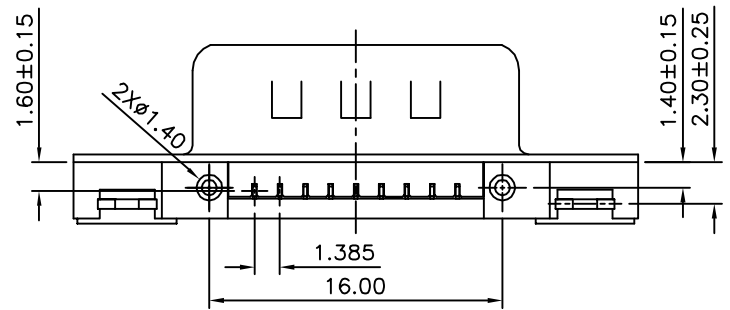


**SPECIFICATION**  
 Current Rating:3 Ampere Per Contact  
 Voltage:250V AC RMS Max.  
 Dielectric Withstand Voltage:500V AC RMS  
 Contact Resistance:25 Milliohms Max.  
 Insulation Resistance:1000 Megaohms Min.  
 Operation Temperature Range:-55°C~+85°C  
 Total Mating Force:4.0 Kgf Max.  
 Total Unmating Force:1.0 Kgf Min.  
 Housing:PBT(UL94V-0),Black  
 Contact:Brass,Gold Flash On Contact Area,  
 Tin Plated On Solder Tails,Over Nickel  
 Shell:SPCC,Nickel Plated  
 Boardlock:Copper Alloy,Tin Plated  
 Rivet:Copper Alloy,Nickel Plated  
 Screw:Copper Alloy,Nickel Plated  
 RoHS Compliant



**4UCON** 元化興業股份有限公司  
 4UCON TECHNOLOGY INC.

DRAWING No.		APPROVED BY		UNLESS OTHERWISE SPECIFIED TOLERANCES ARE .XX ±0.25 .XXX ±0.13 ANG. ±2°
20555		EMILY		
		CHECKED BY		
		HZF		
		DRAWING BY		
		SONG		
SCALE	NONE	REV.	A0	UNIT mm

NO.	REV.	DESCRIPTION	CHK	DATE
△ A0		NEW RELEASE	HZF	03/02/2014
		REVISIONS		