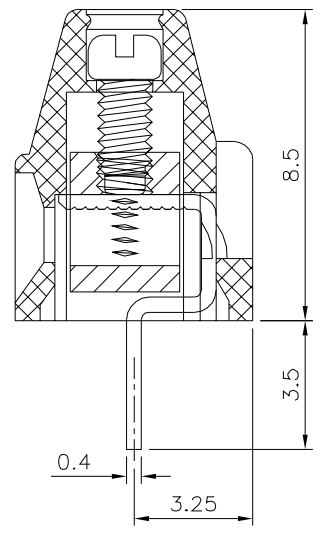
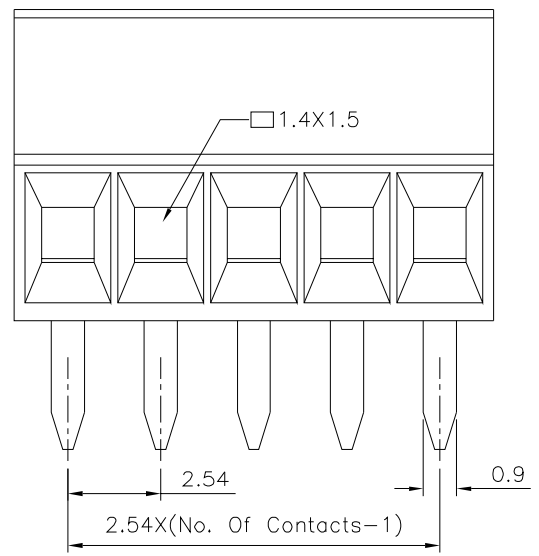


**△ SPECIFICATION**

Voltage Rating:150V AC  
 Current Rating:6A/Way Max.  
 Contact Resistance:20 Milliohms Max.  
 Withstanding Voltage:2000V AC For 1 Minute  
 Test Time=60s/1 PCS  
 Wire Range:18~30 AWG  
 Torque:1.5 Kgf.cm/M1.6  
 Operation Temperature:-40°C~+105°C  
 Soldering Reliability:  
 Test Temperature=250°C±10°C/5s Max.  
 Contact:Copper Alloy,Nickel Plated  
 Terminal Screw:Steel,Galvanized With Cr3+ Plated  
 Solder Pin:Copper Alloy,Tin Plated  
 Insulator Body(Housing):Polyamide(UL94V-0),Green  
 RoHS Compliant



**4UCON** 元化興業股份有限公司  
 4UCON TECHNOLOGY INC.

DRAWING No. <b>20560</b>		APPROVED BY EMILY		UNLESS OTHERWISE SPECIFIED TOLERANCES ARE X. ±0.50 .X ±0.30 .XX ±0.20 ANG. ±1°
		CHECKED BY HZF		
		DRAWING BY SAN		
SCALE	NONE	REV.	A3	UNIT mm

NO.	REV.	REVISIONS	CHK	DATE
3	A3	Modify Data	HZF	03/21/2014
2	A2	Modify Data	HZF	09/14/2013
1	A1	Modify Data	HZF	07/22/2013
0	A0	NEW RELEASE	HZF	07/26/2009