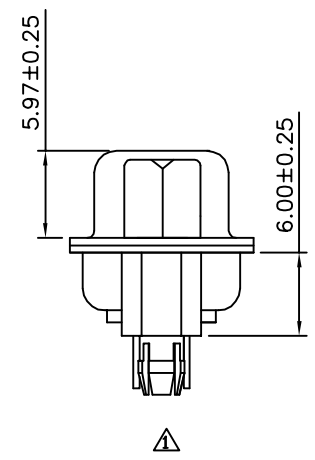
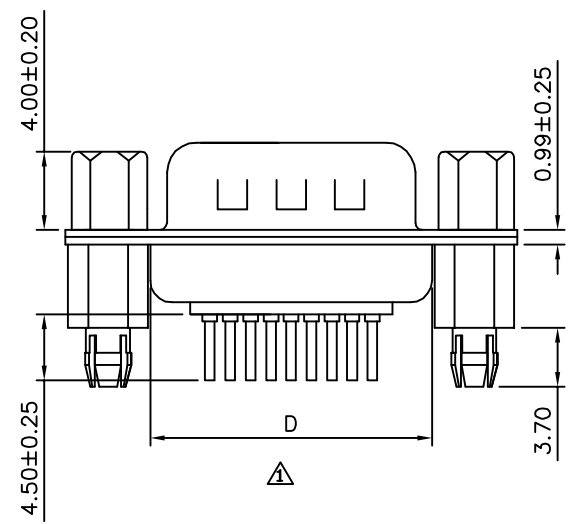
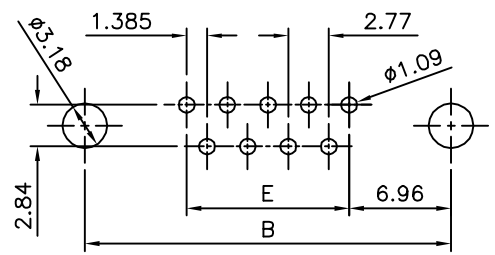
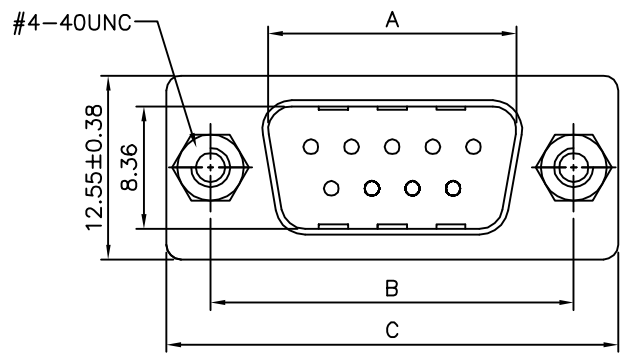


△ SPECIFICATION
 Signal Contact Current:5 Amp
 Dielectric Withstand Voltage:1000V AC Per Minute
 Contact Resistance:10 Milliohms Max.
 Insulation Resistance:5000 Megaohms Min.
 Operation Temperature:-55°C~+125°C
 Insulator:PBT+30%G.F.(UL94V-0),Black
 Contact:Brass,Gold Plated Over Nickel
 Metal Shell:Steel,Tin Plated
 Boardlock:Brass,Nickel Plated
 Screw:Brass,Nickel Plated
 RoHS Compliant

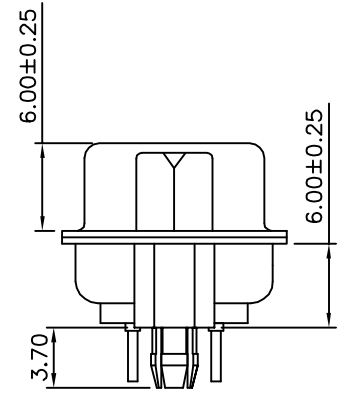
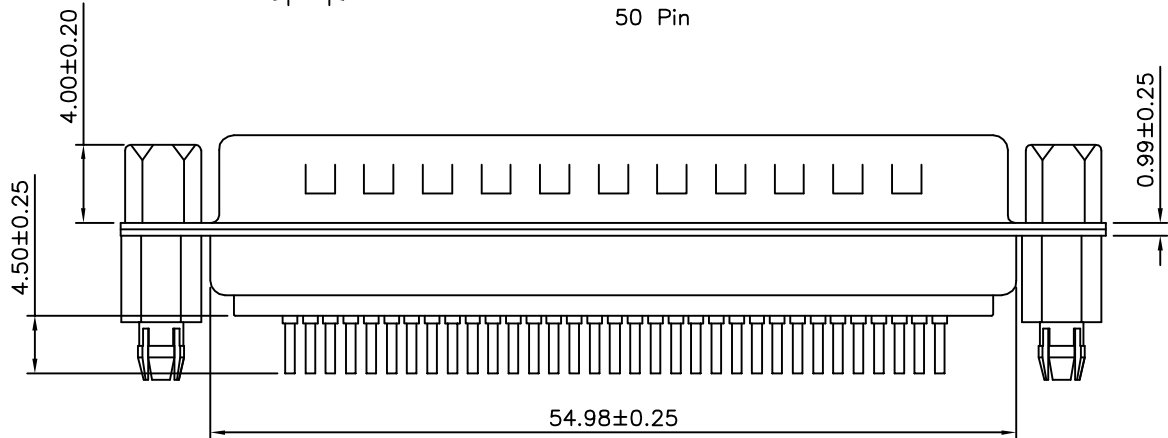
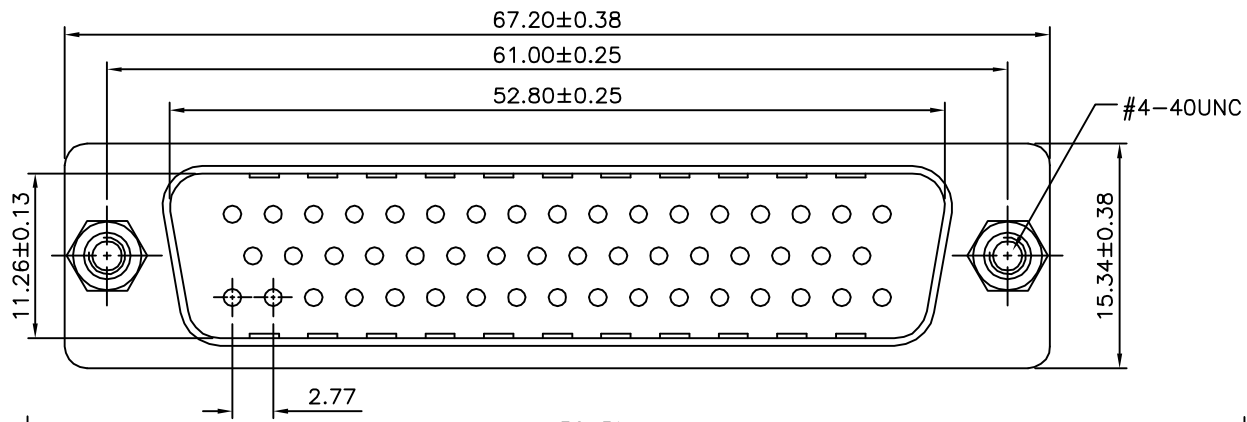
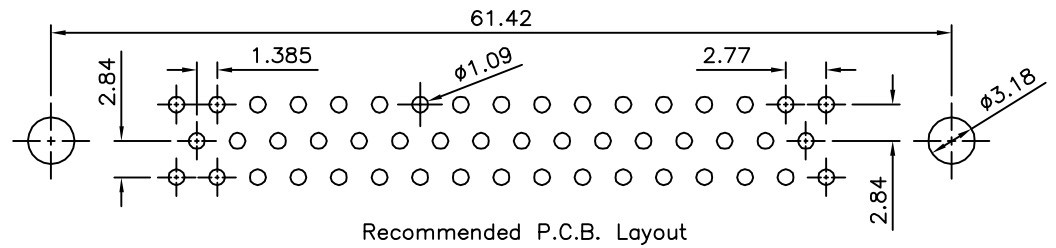


Pin	A±0.25	B±0.13	C±0.38	D±0.25	E±0.25
09	16.92	24.99	30.81	19.28	11.08
15	25.25	33.32	39.14	27.51	19.39
25	38.96	47.04	53.04	41.28	33.24
37	55.42	63.50	69.32	57.71	49.86

4UCON 元化興業股份有限公司
 4UCON TECHNOLOGY INC.

DRAWING No.		APPROVED BY		UNLESS OTHERWISE SPECIFIED TOLERANCES ARE .XX ±0.3 .XXX ±0.3 ANG. ±2°
20566		MEI		
		CHECKED BY		
		HZF		
		DRAWING BY		UNIT mm
		SONG		
SCALE	NONE	REV.	A1	

NO.	REV.	REVISIONS	CHK	DATE
△ A1		Modify Data	HZF	08/09/2012
△ A0		NEW RELEASE	HZF	10/24/2010



4UCON 元化興業股份有限公司
4UCON TECHNOLOGY INC.

DRAWING No.		APPROVED BY		UNLESS OTHERWISE SPECIFIED TOLERANCES ARE .XX ± 0.3 .XXX ± 0.3 ANG. $\pm 2^\circ$
20566		MEI		
		CHECKED BY		
		HZF		
		DRAWING BY		UNIT mm
		SONG		
SCALE	NONE	REV.	A1	

NO.	REV.	REVISIONS	CHK	DATE
△ A1		Modify Data	HZF	08/09/2012
△ A0		NEW RELEASE	HZF	10/24/2010