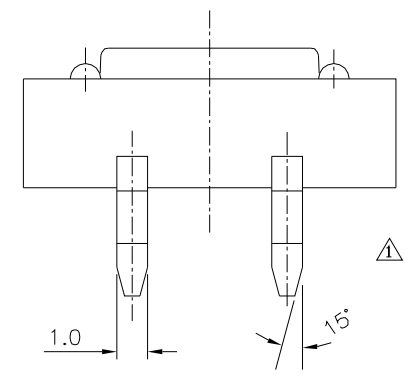
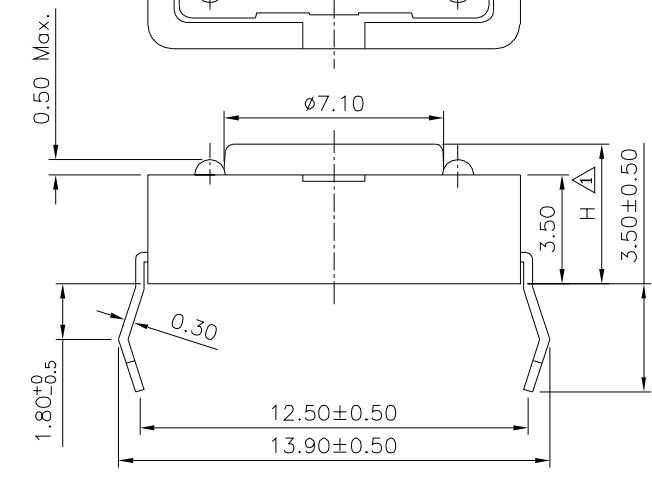
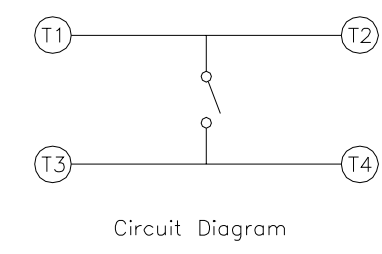
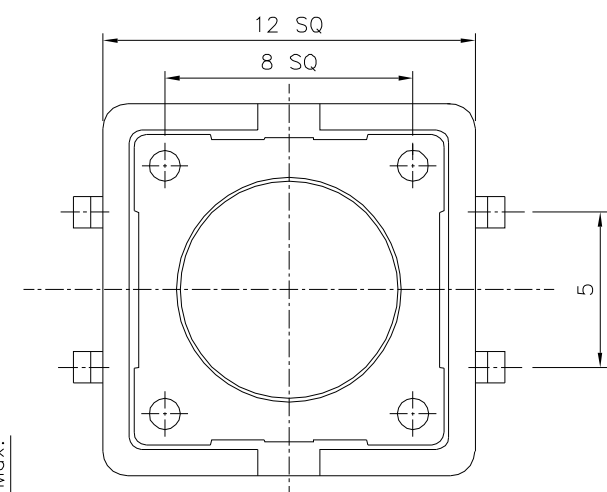


**SPECIFICATION**  
 Current Range:50mA,12V DC  
 Withstand Voltage:250V AC(50Hz Or 60Hz)  
 For 1 Minute  
 Contact Resistance:100 Milliohms Max.  
 Insulation Resistance:100 Megaohms Min.  
 Operation Temperature Range:-25°C~+70°C  
 RoHS Compliant



Item No.	Stem Color & Operating Force Option	Dim H
18573	Brown,160g	4.3mm
20571	Black,160g	4.3mm

No.	Description	Material	Q'ty	Remark
①	Cover	Stainless Steel	1	
②	Stem	PA9T(UL94V-0)	1	
③	Contact	Phosphor Bronze	1	Silver Plated
④	Terminal	Brass	1	Silver Plated Over Nickel
⑤	Base	PA66(UL94V-0)	1	Black

**4UCON** 元化興業股份有限公司  
 4UCON TECHNOLOGY INC.

DRAWING No.  $\Delta$   
**20571**  
 APPROVED BY MEI  
 CHECKED BY HZF  
 DRAWING BY HAO  
 SCALE NONE REV. A1  
 UNLESS OTHERWISE SPECIFIED TOLERANCES ARE  
 X.  $\pm$ 0.20  
 .X  $\pm$ 0.20  
 .XX  $\pm$ 0.20  
 UNIT mm

NO.	REV.	REVISIONS	CHK	DATE
$\Delta$	A1	Modify Data	HZF	08/23/2024
$\Delta$	A0	NEW RELEASE	HZF	03/24/2014