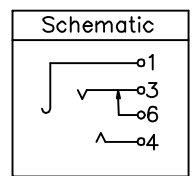
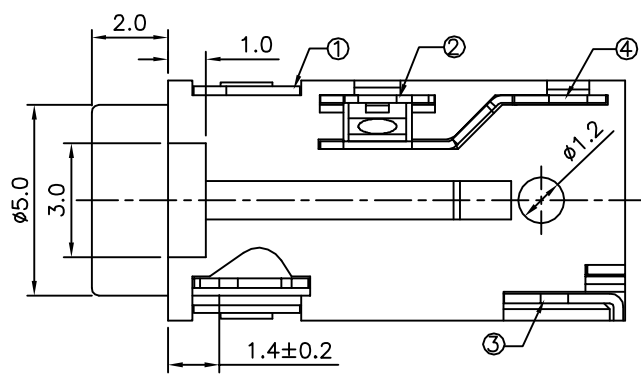
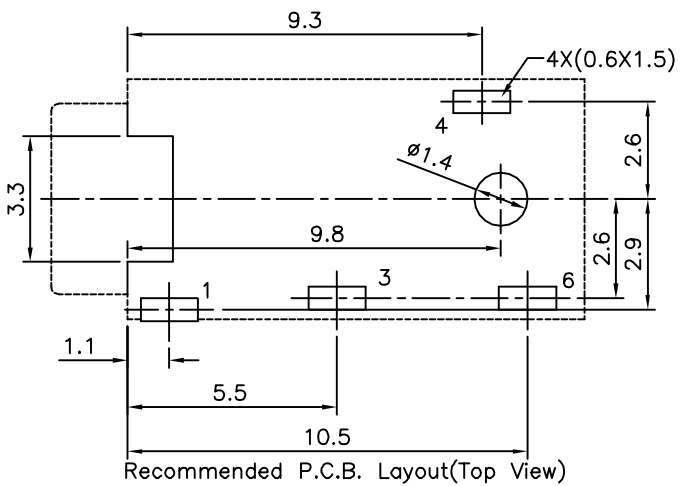
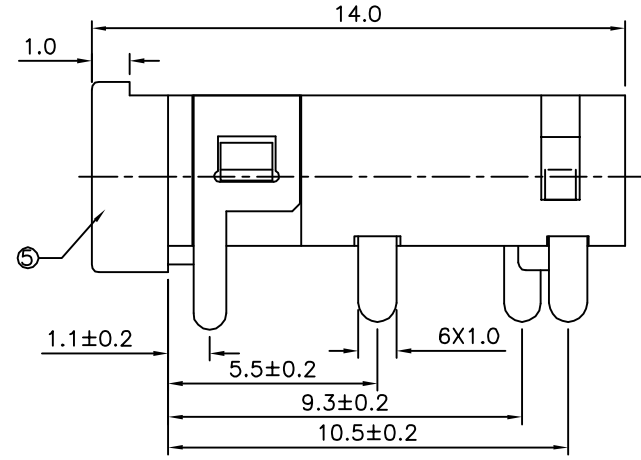
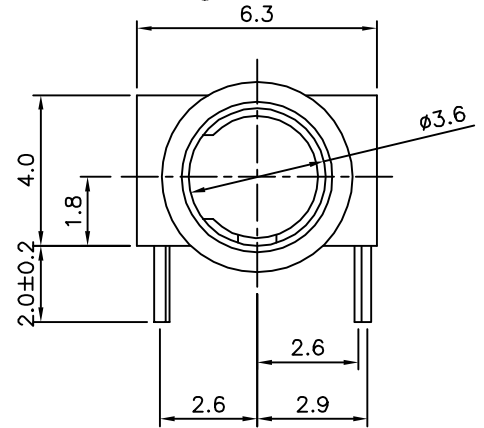


SPECIFICATION
 Rating:DC 30V 0.5A
 Withstand Voltage:500V AC
 Contact Resistance:30 Milliohms Max.
 Insulation Resistance:100 Megaohms Min.
 At 250V DC
 Insertion And Extraction Force:3-20N
 Life Test:5000 Cycles
 RoHS Compliant



⑤	Housing	1	PA9T	Black
④	6# Contacts Foot	1	Bronze	Gold Plated Over Plated
③	4# Contacts Foot	1	Bronze	Gold Plated Over Plated
②	3# Contacts Foot	1	Bronze	Gold Plated Over Plated
①	1# Contacts Foot	1	Bronze	Gold Plated Over Plated
No.	Description	Q'ty	Material	Remark

4UCON 元化興業股份有限公司
 4UCON TECHNOLOGY INC.

DRAWING No.		APPROVED BY		UNLESS OTHERWISE SPECIFIED TOLERANCES ARE .X ±0.15 ANG. ±1.5°
20608		EMILY		
		HZF		
		DRAWING BY		
		HAO		
SCALE	NONE	REV.	A0	UNIT mm

△ A0	NEW RELEASE	HZF	05/10/2014
NO.	REV.	REVISIONS	CHK DATE