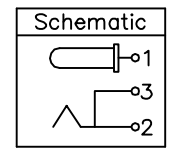
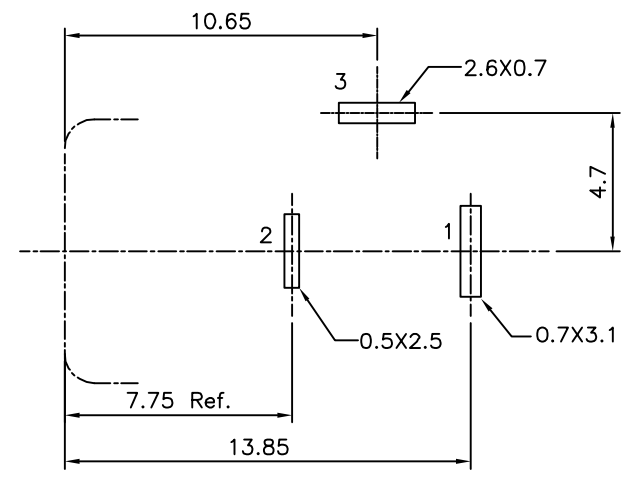
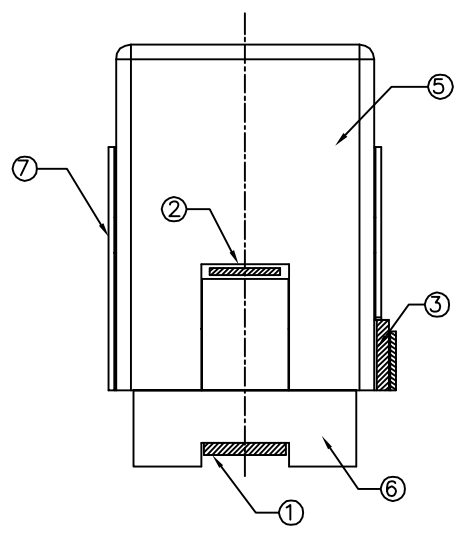


**SPECIFICATION**

Rated Voltage And Current:DC 12V 2A Max.  
 AC 100V 1A Max.  
 Withstand Voltage:500V AC For 1 Minute  
 Contact Resistance:30 Milliohms Max. At AC  
 100mA Max. 1KHz  
 Insulation Resistance:100 Megaohms Min. At 500V DC  
 Insertion Force:3.0 Kg Max.  
 Extraction Force:0.3 Kg Min.  
 RoHS Compliant



No.	Description	Q'ty	Material	Remark
⑦	Shell	1	Brass	Nickel Plated
⑥	Back Cover	1	PBT+G.F.	Black
⑤	Housing	1	PBT+G.F.	Black
④	Center Pin	1	Brass	Nickel Plated
③	Break Terminal	1	Brass	Tin Plated
②	Sleeve Terminal	1	PBS	Tin Plated
①	Pin Terminal	1	Brass	Tin Plated

Recommended P.C.B. Layout(Bottom View)

**4UCON** 元化興業股份有限公司  
 4UCON TECHNOLOGY INC.

DRAWING No.		APPROVED BY		UNLESS OTHERWISE SPECIFIED TOLERANCES ARE X. ±0.38 .X ±0.25 .XX ±0.13 .XXX ±0.05
20617		EMILY		
		CHECKED BY		
		HZF		
		DRAWING BY		UNIT mm
		HAO		
SCALE	NONE	REV.	A0	NO. REV.

△ A0	NEW RELEASE	HZF	05/13/2014
NO. REV.	REVISIONS	CHK	DATE