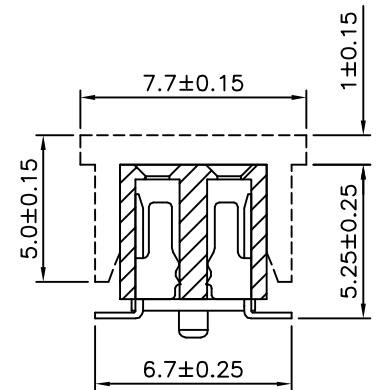
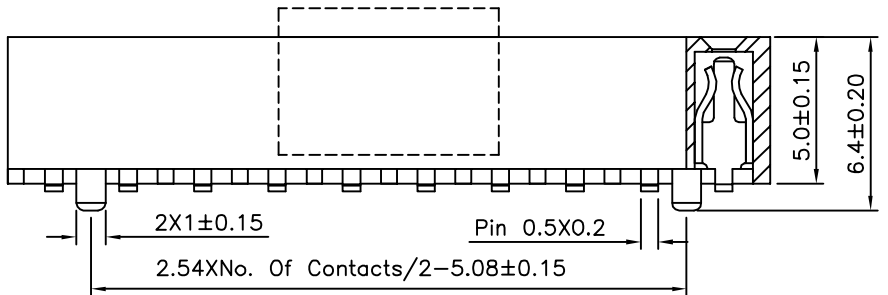
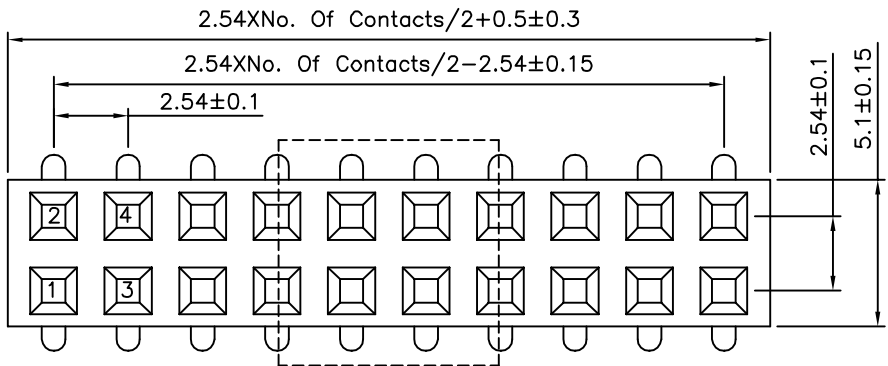


Recommended P.C.B. Layout(Top View)
(PCB Board Tolerance±0.05)



SPECIFICATION

Current Rating:3 Amp
Withstand Voltage:1000V AC
Contact Resistance:20 Milliohms Max.
Insulation Resistance:1000 Megaohms Min.
Operation Temperature:-40°C~+105°C
Contact:Phosphor Bronze,Gold Flash Over Nickel
Insulator:PA6T(UL94V-0),Black
RoHS Compliant

4UCON 元化興業股份有限公司
4UCON TECHNOLOGY INC.

DRAWING No.		APPROVED BY		UNLESS OTHERWISE SPECIFIED TOLERANCES ARE X. ±0.25 X.* ±2" .X ±0.20 .X* ±1.5" .XX ±0.15 .XX* ±1" .XXX ±0.10 .XXX* ±0.5"				
20626		EMILY						
		CHECKED BY						
		HZF						
		DRAWING BY						
		CYP						
SCALE	NONE	REV.	A0	UNIT	mm			

NO.	REV.	REVISIONS	CHK	DATE
△ A0		NEW RELEASE	HZF	05/21/2014