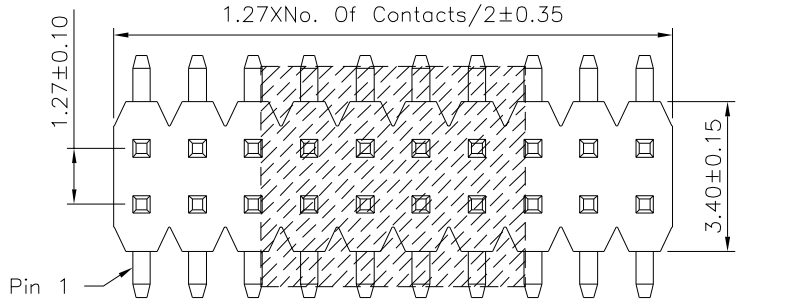
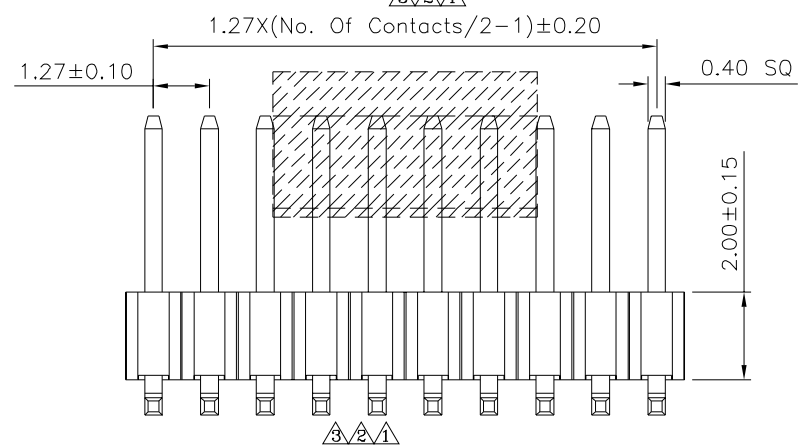


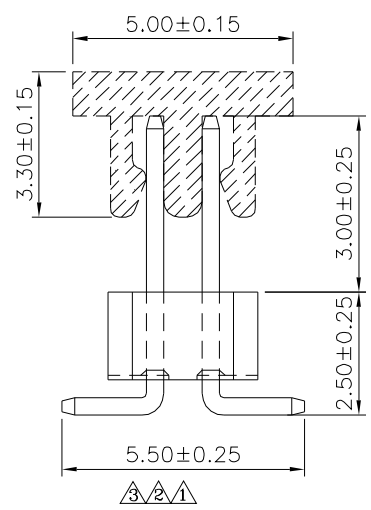
Recommended P.C.B. Layout



Recommended P.C.B. Layout



Recommended P.C.B. Layout



Recommended P.C.B. Layout

**SPECIFICATION**

- Current:1A
- Contact Resistance:20 Milliohms Max.
- Insulation Resistance:1000 Megohms Min.
- Dielectric Strength:500V AC/Minute
- Operation Temperature:-55°C~+105°C
- Housing:PA6T(UL94V-0),Black
- Contact:Brass,Gold Flash Over Nickel
- No. Of Contacts:04~100 Contacts
- RoHS Compliant

**4UCON** 元化興業股份有限公司  
4UCON TECHNOLOGY INC.

DRAWING No. **20633**

APPROVED BY MEI  
CHECKED BY HZF  
DRAWING BY CYP  
REV. A3

UNLESS OTHERWISE SPECIFIED TOLERANCES ARE  
.X ±0.38  
.XX ±0.25  
.XXX ±0.05

SCALE NONE

NO.	REV.	REVISIONS	CHK	DATE
3	A3	Modify Data	HZF	10/12/2021
2	A2	Modify Data	HZF	11/27/2013
1	A1	Modify Data	HZF	01/03/2011
0	A0	NEW RELEASE	HZF	05/09/2006