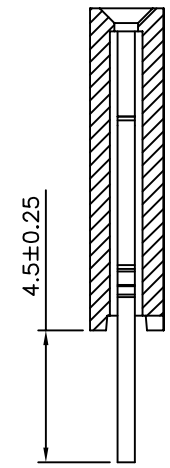
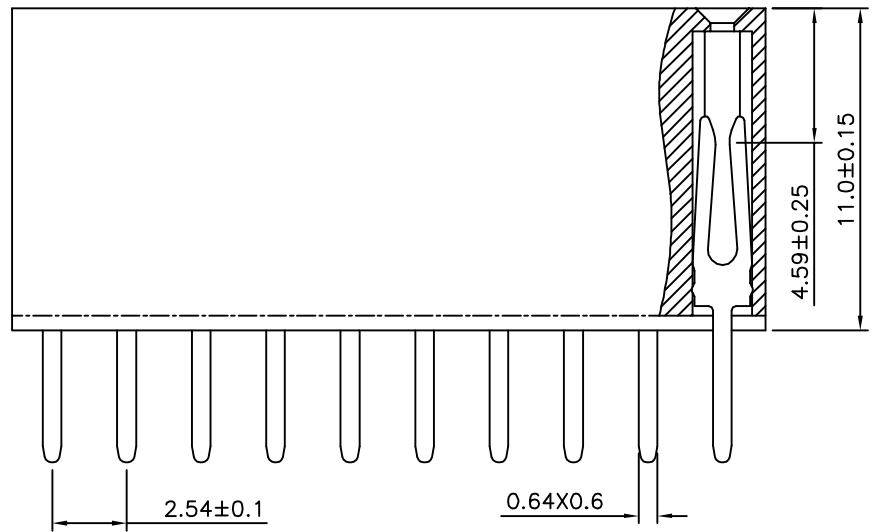
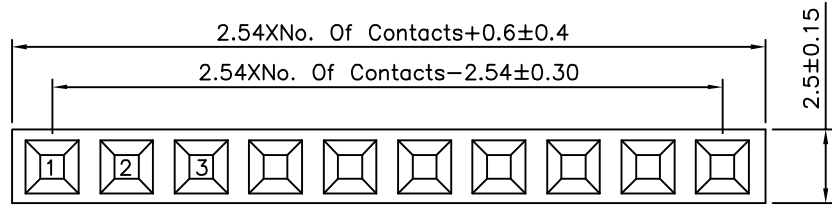


Recommended P.C.B. Layout(Top View)
(PCB Board Tolerance ± 0.05)

SPECIFICATION
 Current Rating:3A
 Withstand Voltage:1000V AC
 Contact Resistance:20 Milliohms Max.
 Insulation Resistance:1000 Megohms Min.
 Operating Temperature:-40°C~+105°C
 Insulator:PBT(UL94V-0),Black
 Contact:Brass,Gold Flash Over Nickel
 RoHS Compliant



4UCON 元化興業股份有限公司
4UCON TECHNOLOGY INC.

DRAWING No.		APPROVED BY		UNLESS OTHERWISE SPECIFIED TOLERANCES ARE
20658		EMILY		
		HZF		
		DRAWING BY		X: ± 0.25 X*: $\pm 2^{\circ}$
		HAO		.X ± 0.20 .X* $\pm 1.5^{\circ}$
				.XX ± 0.15 .XX* $\pm 1^{\circ}$
				.XXX ± 0.10 .XXX* $\pm 0.5^{\circ}$
SCALE	NONE	REV.	A0	UNIT
				mm

NO.	REV.	REVISIONS	CHK	DATE
△ A0		NEW RELEASE	HZF	07/13/2014